



**THE DATASHEET OF
BST82,215**



Important notice

Dear Customer,

On 7 February 2017 the former NXP Standard Product business became a new company with the tradename **Nexperia**. Nexperia is an industry leading supplier of Discrete, Logic and PowerMOS semiconductors with its focus on the automotive, industrial, computing, consumer and wearable application markets

In data sheets and application notes which still contain NXP or Philips Semiconductors references, use the references to Nexperia, as shown below.

Instead of <http://www.nxp.com>, <http://www.philips.com/> or <http://www.semiconductors.philips.com/>, use <http://www.nexperia.com>

Instead of sales.addresses@www.nxp.com or sales.addresses@www.semiconductors.philips.com, use salesaddresses@nexperia.com (email)

Replace the copyright notice at the bottom of each page or elsewhere in the document, depending on the version, as shown below:

- © NXP N.V. (year). All rights reserved or © Koninklijke Philips Electronics N.V. (year). All rights reserved

Should be replaced with:

- © **Nexperia B.V. (year). All rights reserved.**

If you have any questions related to the data sheet, please contact our nearest sales office via e-mail or telephone (details via salesaddresses@nexperia.com). Thank you for your cooperation and understanding,

Kind regards,

Team Nexperia

BST82

N-channel enhancement mode field-effect transistor

Rev. 03 — 26 July 2000

Product specification

1. Description

N-channel enhancement mode field-effect transistor in a plastic package using TrenchMOS™¹ technology.

Product availability:
BST82 in SOT23.

2. Features

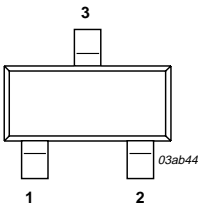
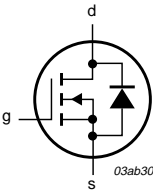
- TrenchMOS™ technology
- Very fast switching
- Logic level compatible
- Subminiature surface mount package.

3. Applications

- Relay driver
- High speed line driver
- Logic level translator.

4. Pinning information

Table 1: Pinning - SOT23, simplified outline and symbol

| Pin | Description | Simplified outline | Symbol |
|-----|-------------|---|---|
| 1 | gate (g) |  |  |
| 2 | source (s) | | |
| 3 | drain (d) | | |
| | | SOT23 | N-channel MOSFET |

1. TrenchMOS is a trademark of Royal Philips Electronics.



PHILIPS

5. Quick reference data

Table 2: Quick reference data

| Symbol | Parameter | Conditions | Typ | Max | Unit |
|------------|----------------------------------|----------------------------------|-----|------|----------|
| V_{DS} | drain-source voltage (DC) | $T_j = 25$ to 150 °C | – | 100 | V |
| I_D | drain current (DC) | $T_{sp} = 25$ °C; $V_{GS} = 5$ V | – | 190 | mA |
| P_{tot} | total power dissipation | $T_{sp} = 25$ °C | – | 0.83 | W |
| T_j | junction temperature | | – | 150 | °C |
| R_{DSon} | drain-source on-state resistance | $V_{GS} = 5$ V; $I_D = 150$ mA | 5 | 10 | Ω |

6. Limiting values

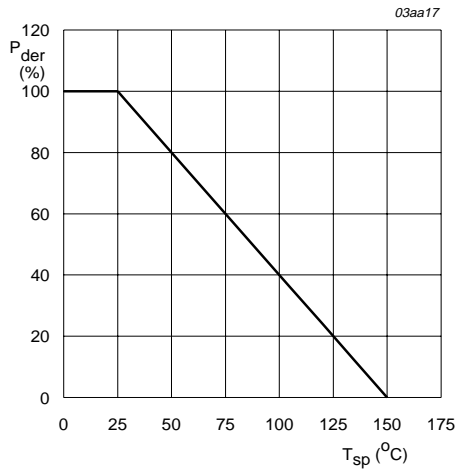
Table 3: Limiting values

In accordance with the Absolute Maximum Rating System (IEC 60134).

| Symbol | Parameter | Conditions | Min | Max | Unit |
|-----------|--------------------------------|---|-----|----------|------|
| V_{DS} | drain-source voltage (DC) | $T_j = 25$ to 150 °C | – | 100 | V |
| V_{DGR} | drain-gate voltage (DC) | $T_j = 25$ to 150 °C; $R_{GS} = 20$ k Ω | – | 100 | V |
| V_{GS} | gate-source voltage (DC) | | – | ± 20 | V |
| I_D | drain current (DC) | $T_{sp} = 25$ °C; $V_{GS} = 5$ V; Figure 2 and 3 | – | 190 | mA |
| | | $T_{sp} = 100$ °C; $V_{GS} = 5$ V; Figure 2 | – | 120 | mA |
| I_{DM} | peak drain current | $T_{sp} = 25$ °C; pulsed; $t_p \leq 10$ μ s; Figure 3 | – | 0.8 | A |
| P_{tot} | total power dissipation | $T_{sp} = 25$ °C; Figure 1 | – | 0.83 | W |
| T_{stg} | storage temperature | | –65 | +150 | °C |
| T_j | operating junction temperature | | –65 | +150 | °C |

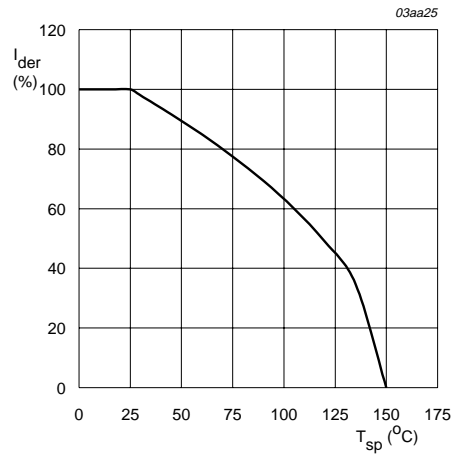
Source-drain diode

| | | | | | |
|----------|-------------------------------------|---|---|-----|----|
| I_S | source (diode forward) current (DC) | $T_{sp} = 25$ °C | – | 190 | mA |
| I_{SM} | peak source (diode forward) current | $T_{sp} = 25$ °C; pulsed; $t_p \leq 10$ μ s | – | 0.8 | A |



$$P_{der} = \frac{P_{tot}}{P_{tot(25^{\circ}C)}} \times 100\%$$

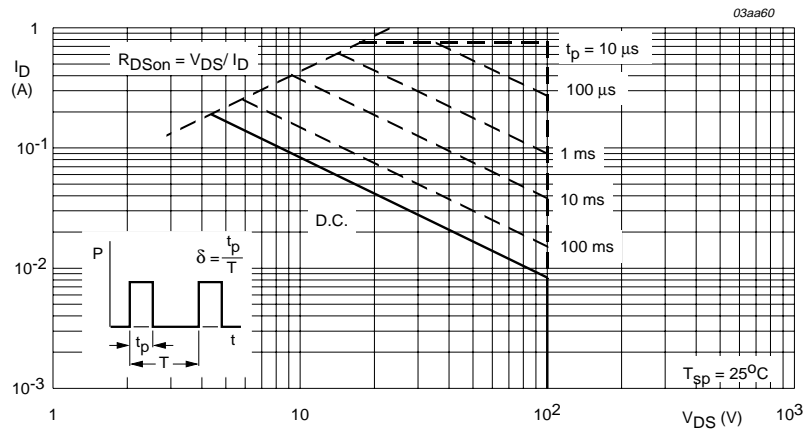
Fig 1. Normalized total power dissipation as a function of solder point temperature.



$V_{GS} \geq 5\text{ V}$

$$I_{der} = \frac{I_D}{I_{D(25^{\circ}C)}} \times 100\%$$

Fig 2. Normalized continuous drain current as a function of solder point temperature.



$T_{sp} = 25^{\circ}C$; I_{DM} is single pulse.

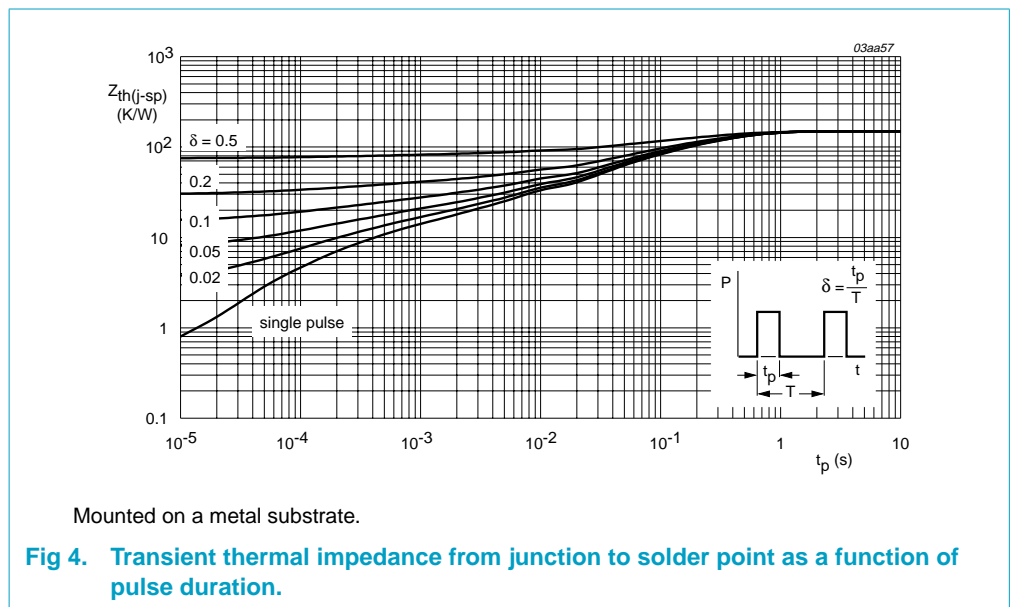
Fig 3. Safe operating area; continuous and peak drain currents as a function of drain-source voltage.

7. Thermal characteristics

Table 4: Thermal characteristics

| Symbol | Parameter | Conditions | Value | Unit |
|----------------|--|--|-------|------|
| $R_{th(j-sp)}$ | thermal resistance from junction to solder point | mounted on a metal clad substrate; Figure 4 | 150 | K/W |
| $R_{th(j-a)}$ | thermal resistance from junction to ambient | mounted on a printed circuit board; minimum footprint | 350 | K/W |

7.1 Transient thermal impedance

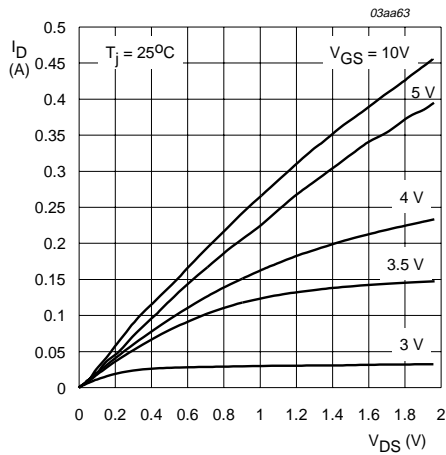


8. Characteristics

Table 5: Characteristics

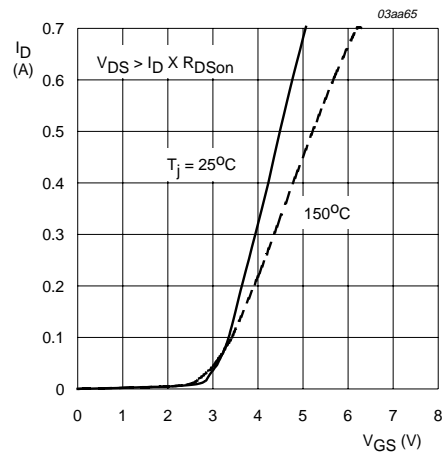
$T_j = 25\text{ °C}$ unless otherwise specified

| Symbol | Parameter | Conditions | Min | Typ | Max | Unit |
|--------------------------------|--------------------------------------|--|-----|------|-----|---------------|
| Static characteristics | | | | | | |
| $V_{(BR)DSS}$ | drain-source breakdown voltage | $I_D = 10\ \mu\text{A}$; $V_{GS} = 0\ \text{V}$ | | | | |
| | | $T_j = 25\text{ °C}$ | 100 | 130 | – | V |
| | | $T_j = -55\text{ °C}$ | 89 | – | – | V |
| $V_{GS(th)}$ | gate-source threshold voltage | $I_D = 1\ \text{mA}$; $V_{DS} = V_{GS}$; Figure 9 | | | | |
| | | $T_j = 25\text{ °C}$ | 1 | 2 | – | V |
| | | $T_j = 150\text{ °C}$ | 0.6 | – | – | V |
| | | $T_j = -55\text{ °C}$ | – | – | 3.5 | V |
| I_{DSS} | drain-source leakage current | $V_{DS} = 60\ \text{V}$; $V_{GS} = 0\ \text{V}$ | | | | |
| | | $T_j = 25\text{ °C}$ | – | 0.01 | 1.0 | μA |
| | | $T_j = 150\text{ °C}$ | – | – | 10 | μA |
| I_{GSS} | gate-source leakage current | $V_{GS} = \pm 20\ \text{V}$; $V_{DS} = 0\ \text{V}$ | – | 10 | 100 | nA |
| $R_{DS(on)}$ | drain-source on-state resistance | $V_{GS} = 5\ \text{V}$; $I_D = 150\ \text{mA}$; Figure 7 and 8 | | | | |
| | | $T_j = 25\text{ °C}$ | – | 5 | 10 | Ω |
| | | $T_j = 150\text{ °C}$ | – | – | 23 | Ω |
| Dynamic characteristics | | | | | | |
| g_{fs} | forward transconductance | $V_{DS} = 5\ \text{V}$; $I_D = 175\ \text{mA}$; Figure 11 | – | 350 | – | mS |
| C_{iss} | input capacitance | $V_{GS} = 0\ \text{V}$; $V_{DS} = 10\ \text{V}$; | – | 25 | 40 | pF |
| C_{oss} | output capacitance | $f = 1\ \text{MHz}$; Figure 12 | – | 8.5 | 15 | pF |
| C_{rss} | reverse transfer capacitance | | – | 5 | 10 | pF |
| t_{on} | turn-on time | $V_{DD} = 50\ \text{V}$; $R_D = 250\ \Omega$; | – | 3 | 10 | ns |
| t_{off} | turn-off time | $V_{GS} = 10\ \text{V}$; $R_G = 50\ \Omega$; $R_{GS} = 50\ \Omega$ | – | 12 | 15 | ns |
| Source-drain diode | | | | | | |
| V_{SD} | source-drain (diode forward) voltage | $I_S = 300\ \text{mA}$; $V_{GS} = 0\ \text{V}$; Figure 13 | – | 0.95 | 1.5 | V |
| t_{rr} | reverse recovery time | $I_S = 300\ \text{mA}$; | – | 30 | – | ns |
| Q_r | recovered charge | $di_S/dt = -100\ \text{A}/\mu\text{s}$; $V_{GS} = 0\ \text{V}$; $V_{DS} = 25\ \text{V}$ | – | 30 | – | nC |



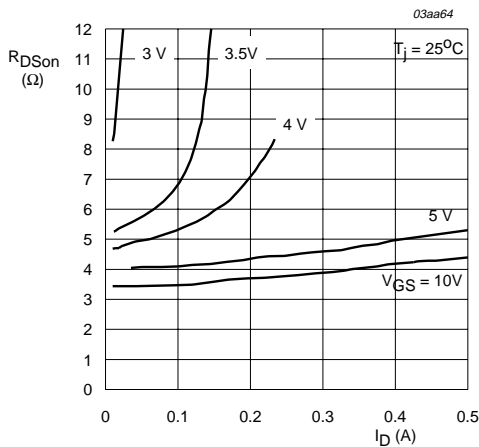
$T_j = 25^\circ\text{C}$

Fig 5. Output characteristics: drain current as a function of drain-source voltage; typical values.



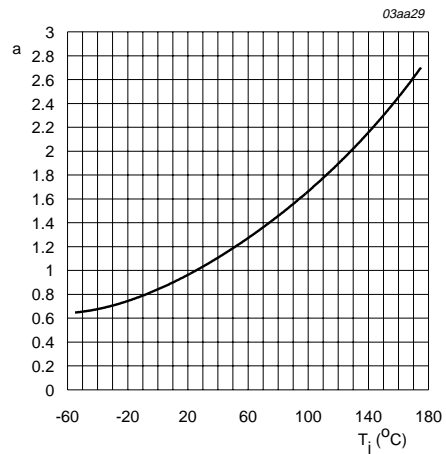
$T_j = 25^\circ\text{C}$ and 150°C ; $V_{DS} > I_D \times R_{DSon}$

Fig 6. Transfer characteristics: drain current as a function of gate-source voltage; typical values.



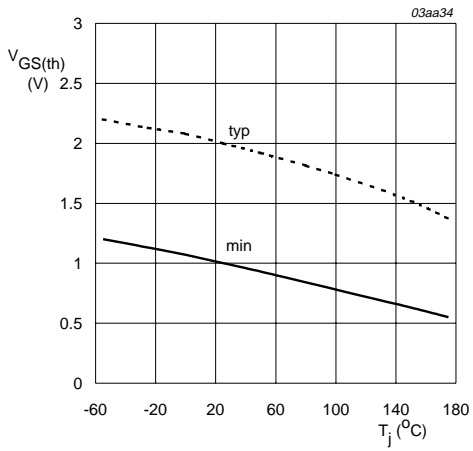
$T_j = 25^\circ\text{C}$

Fig 7. Drain-source on-state resistance as a function of drain current; typical values.



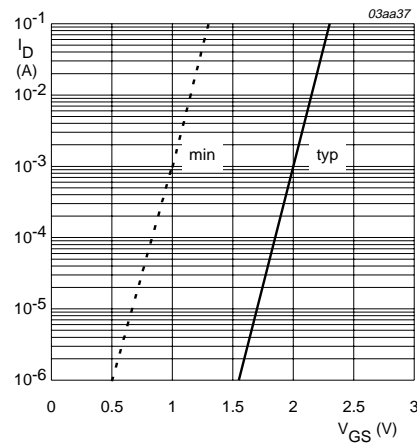
$$a = \frac{R_{DSon}}{R_{DSon(25^\circ\text{C})}}$$

Fig 8. Normalized drain-source on-state resistance factor as a function of junction temperature.



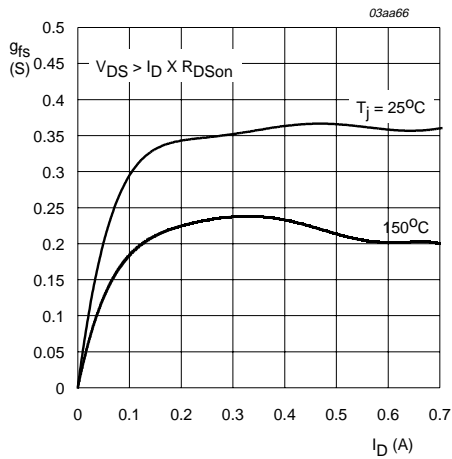
$I_D = 1 \text{ mA}; V_{DS} = V_{GS}$

Fig 9. Gate-source threshold voltage as a function of junction temperature.



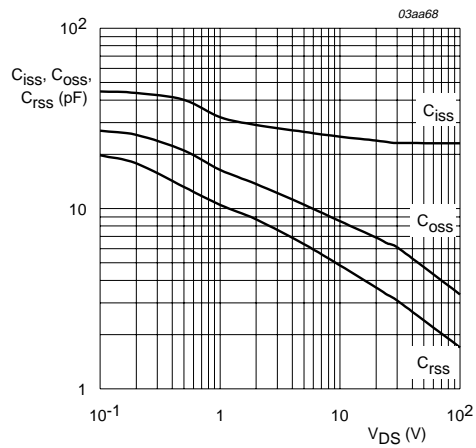
$T_j = 25 \text{ }^\circ\text{C}; V_{DS} = 5 \text{ V}$

Fig 10. Sub-threshold drain current as a function of gate-source voltage.



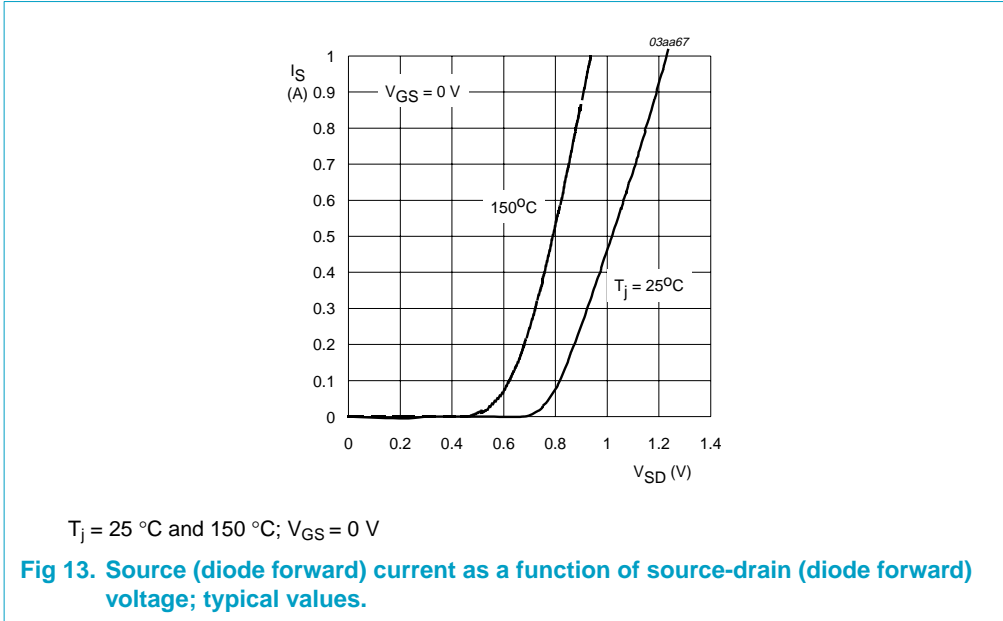
$T_j = 25 \text{ }^\circ\text{C}$ and $150 \text{ }^\circ\text{C}; V_{DS} > I_D \times R_{DS(on)}$

Fig 11. Forward transconductance as a function of drain current; typical values.



$V_{GS} = 0 \text{ V}; f = 1 \text{ MHz}$

Fig 12. Input, output and reverse transfer capacitances as a function of drain-source voltage; typical values.



9. Package outline

Plastic surface mounted package; 3 leads

SOT23

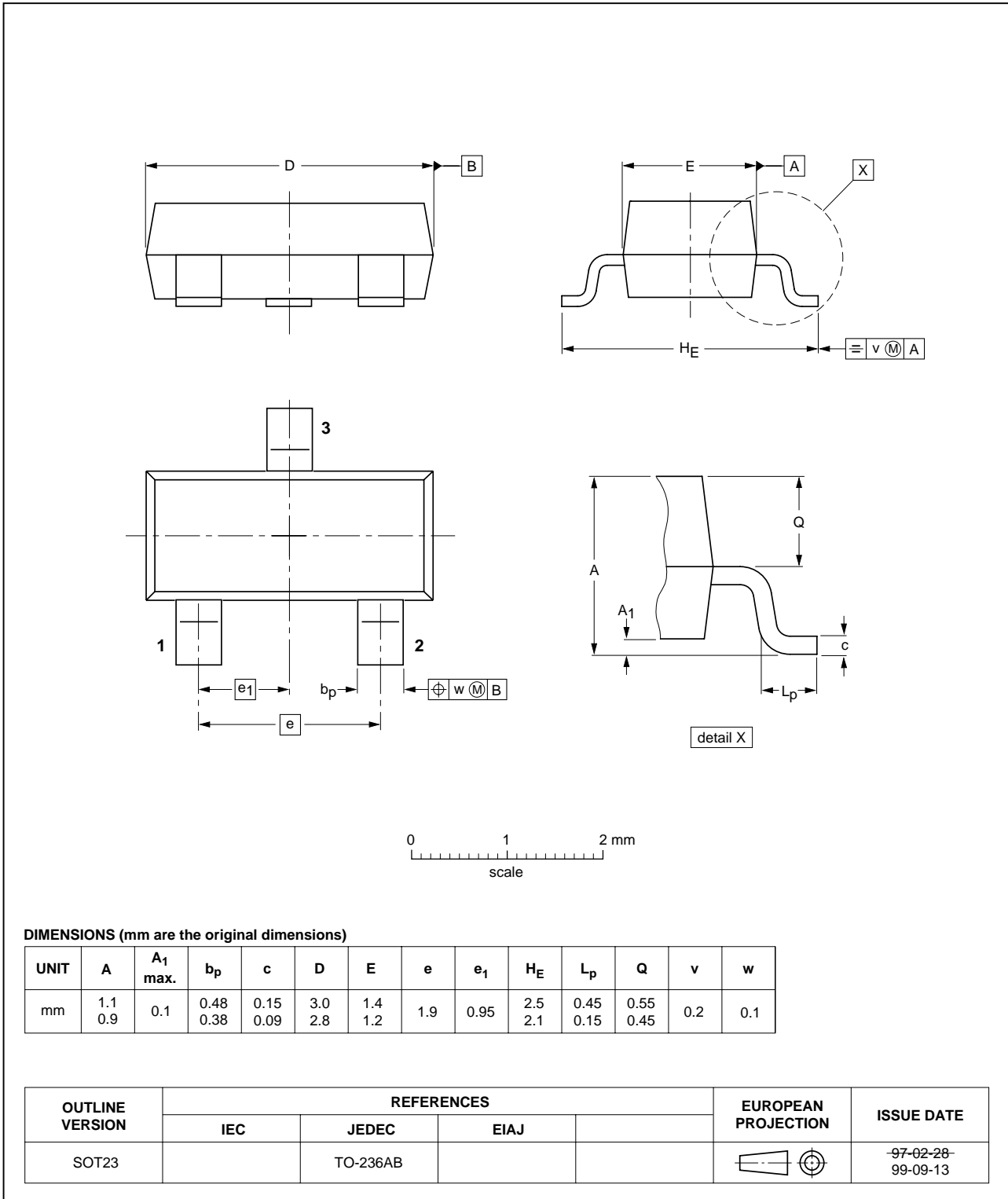


Fig 14. SOT23.

10. Revision history

Table 6: Revision history

| Rev | Date | CPCN | Description |
|-----|----------|--------|---|
| 03 | 20000726 | HZG303 | Product specification; third version; supersedes BST82_CNV_2 of 970623. Converted from VDMOS (Nijmegen) to TrenchMOS™ technology (Hazel Grove). |
| 02 | 19970623 | - | Product specification; second version. |
| 01 | 19901031 | - | Product specification; initial version. |

11. Data sheet status

| Datasheet status | Product status | Definition ^[1] |
|---------------------------|----------------|--|
| Objective specification | Development | This data sheet contains the design target or goal specifications for product development. Specification may change in any manner without notice. |
| Preliminary specification | Qualification | This data sheet contains preliminary data, and supplementary data will be published at a later date. Philips Semiconductors reserves the right to make changes at any time without notice in order to improve design and supply the best possible product. |
| Product specification | Production | This data sheet contains final specifications. Philips Semiconductors reserves the right to make changes at any time without notice in order to improve design and supply the best possible product. |

[1] Please consult the most recently issued data sheet before initiating or completing a design.

12. Definitions

Short-form specification — The data in a short-form specification is extracted from a full data sheet with the same type number and title. For detailed information see the relevant data sheet or data handbook.

Limiting values definition — Limiting values given are in accordance with the Absolute Maximum Rating System (IEC 60134). Stress above one or more of the limiting values may cause permanent damage to the device. These are stress ratings only and operation of the device at these or at any other conditions above those given in the Characteristics sections of the specification is not implied. Exposure to limiting values for extended periods may affect device reliability.

Application information — Applications that are described herein for any of these products are for illustrative purposes only. Philips Semiconductors make no representation or warranty that such applications will be suitable for the specified use without further testing or modification.

13. Disclaimers

Life support — These products are not designed for use in life support appliances, devices, or systems where malfunction of these products can reasonably be expected to result in personal injury. Philips Semiconductors customers using or selling these products for use in such applications do so at their own risk and agree to fully indemnify Philips Semiconductors for any damages resulting from such application.

Right to make changes — Philips Semiconductors reserves the right to make changes, without notice, in the products, including circuits, standard cells, and/or software, described or contained herein in order to improve design and/or performance. Philips Semiconductors assumes no responsibility or liability for the use of any of these products, conveys no licence or title under any patent, copyright, or mask work right to these products, and makes no representations or warranties that these products are free from patent, copyright, or mask work right infringement, unless otherwise specified.

Philips Semiconductors - a worldwide company

Argentina: see South America

Australia: Tel. +61 2 9704 8141, Fax. +61 2 9704 8139

Austria: Tel. +43 160 101, Fax. +43 160 101 1210

Belarus: Tel. +375 17 220 0733, Fax. +375 17 220 0773

Belgium: see The Netherlands

Brazil: see South America

Bulgaria: Tel. +359 268 9211, Fax. +359 268 9102

Canada: Tel. +1 800 234 7381

China/Hong Kong: Tel. +852 2 319 7888, Fax. +852 2 319 7700

Colombia: see South America

Czech Republic: see Austria

Denmark: Tel. +45 3 288 2636, Fax. +45 3 157 0044

Finland: Tel. +358 961 5800, Fax. +358 96 158 0920

France: Tel. +33 14 099 6161, Fax. +33 14 099 6427

Germany: Tel. +49 40 23 5360, Fax. +49 402 353 6300

Hungary: see Austria

India: Tel. +91 22 493 8541, Fax. +91 22 493 8722

Indonesia: see Singapore

Ireland: Tel. +353 17 64 0000, Fax. +353 17 64 0200

Israel: Tel. +972 36 45 0444, Fax. +972 36 49 1007

Italy: Tel. +39 039 203 6838, Fax. +39 039 203 6800

Japan: Tel. +81 33 740 5130, Fax. +81 3 3740 5057

Korea: Tel. +82 27 09 1412, Fax. +82 27 09 1415

Malaysia: Tel. +60 37 50 5214, Fax. +60 37 57 4880

Mexico: Tel. +9-5 800 234 7381

Middle East: see Italy

For all other countries apply to: Philips Semiconductors,
Marketing Communications,
Building BE, P.O. Box 218, 5600 MD EINDHOVEN,
The Netherlands, Fax. +31 40 272 4825

Netherlands: Tel. +31 40 278 2785, Fax. +31 40 278 8399

New Zealand: Tel. +64 98 49 4160, Fax. +64 98 49 7811

Norway: Tel. +47 22 74 8000, Fax. +47 22 74 8341

Philippines: Tel. +63 28 16 6380, Fax. +63 28 17 3474

Poland: Tel. +48 22 5710 000, Fax. +48 22 5710 001

Portugal: see Spain

Romania: see Italy

Russia: Tel. +7 095 755 6918, Fax. +7 095 755 6919

Singapore: Tel. +65 350 2538, Fax. +65 251 6500

Slovakia: see Austria

Slovenia: see Italy

South Africa: Tel. +27 11 471 5401, Fax. +27 11 471 5398

South America: Tel. +55 11 821 2333, Fax. +55 11 829 1849

Spain: Tel. +34 33 01 6312, Fax. +34 33 01 4107

Sweden: Tel. +46 86 32 2000, Fax. +46 86 32 2745

Switzerland: Tel. +41 14 88 2686, Fax. +41 14 81 7730

Taiwan: Tel. +886 22 134 2451, Fax. +886 22 134 2874

Thailand: Tel. +66 23 61 7910, Fax. +66 23 98 3447

Turkey: Tel. +90 216 522 1500, Fax. +90 216 522 1813

Ukraine: Tel. +380 44 264 2776, Fax. +380 44 268 0461

United Kingdom: Tel. +44 208 730 5000, Fax. +44 208 754 8421

United States: Tel. +1 800 234 7381

Uruguay: see South America

Vietnam: see Singapore

Yugoslavia: Tel. +381 11 3341 299, Fax. +381 11 3342 553

Internet: <http://www.semiconductors.philips.com>

(SCA70)

Contents

| | | |
|-----|---------------------------------------|----|
| 1 | Description | 1 |
| 2 | Features | 1 |
| 3 | Applications | 1 |
| 4 | Pinning information | 1 |
| 5 | Quick reference data | 2 |
| 6 | Limiting values | 2 |
| 7 | Thermal characteristics | 4 |
| 7.1 | Transient thermal impedance | 4 |
| 8 | Characteristics | 5 |
| 9 | Package outline | 9 |
| 10 | Revision history | 10 |
| 11 | Data sheet status | 11 |
| 12 | Definitions | 11 |
| 13 | Disclaimers | 11 |



PHILIPS

Let's make things better.

Looking for pricing, stock, or lifecycle information?

Click below to explore more details on WIN SOURCE:

-  [View BST82,215 on WIN SOURCE](#)
-  [Nexperia USA Inc. Information](#)

Optimize Your Supply Chain with WIN SOURCE Solutions

-  Global Sourcing Solution
-  Obsolete Management
-  Cost Control Management
-  Shortage Management
-  Alternative Solution
-  Excess Inventory Management