



**THE DATASHEET OF**  
**532610271**



10 9 8 7 6 5 4 3 2 1

F

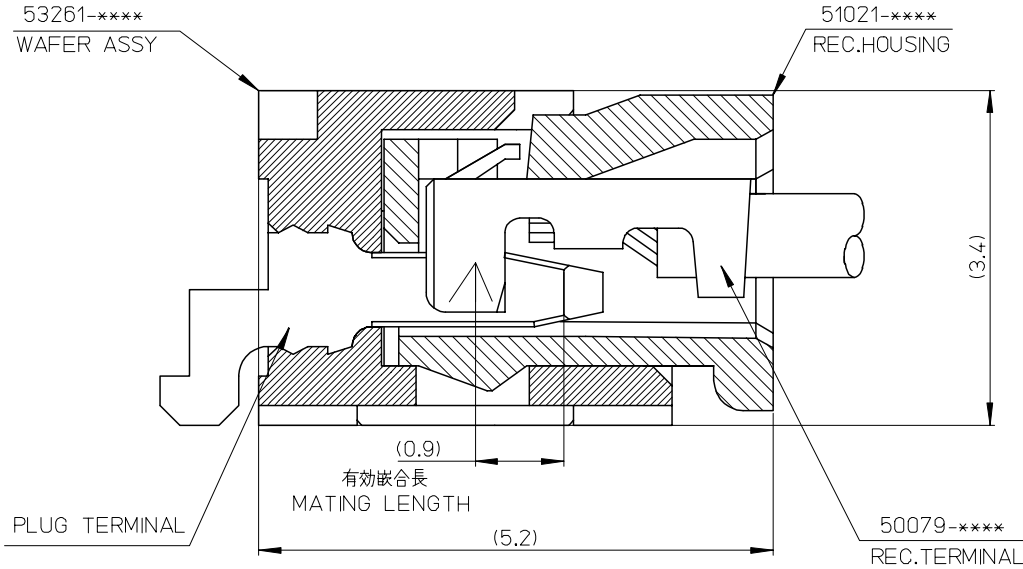
E

D

C

B

A



|            |            |                        |
|------------|------------|------------------------|
| 53261-**** | WAFER ASSY | MODEL NO./MATERIAL NO. |
| 50079-**** | TERMINAL   |                        |
| 51021-**** | HOUSING    |                        |

|  |  |         |                            |                    |   |                        |                        |  |
|--|--|---------|----------------------------|--------------------|---|------------------------|------------------------|--|
| RELEASED<br>EC NO: J2006-2426<br>DRWN: A0YAGI 2006/02/02<br>CHKD: YMAEDA 2006/02/03<br>APPR: NUKITA 2006/02/07 | GENERAL TOLERANCES (UNLESS SPECIFIED)                |         | DIMENSION STYLE<br>MM ONLY |                    | SCALE<br>---  | DESIGN UNITS<br>METRIC | THIRD ANGLE PROJECTION |  |
|  | 10 UNDER   | ± ---   | DRAWN BY<br>Y. A0YAGI      | DATE<br>2006/01/30 | TITLE<br>1.25 W-TO-B CONN.<br>51021,53261<br>MATING CROSS SECTION   |                        |                        |  |
|  | 10 OVER 30 UNDER                                     | ± ---   | CHECKED BY<br>Y. MAEDA     | DATE<br>2006/01/30 | MOLEX INCORPORATED  |                        |                        |  |
|  | 30 OVER  | ± ---   | APPROVED BY<br>N. UKITA    | DATE<br>2006/01/30 | DOCUMENT NO.<br>SD-51021-002  |                        |                        |  |
|  | ANGULAR  | ± --- ° | MATERIAL NO.<br>SEE CHART  |                    | SHEET NO.<br>1 OF 1   |                        |                        |  |
| 0  | DRAFT WHERE APPLICABLE MUST REMAIN WITHIN DIMENSIONS |         | SIZE<br>A3                 |                    | THIS DRAWING CONTAINS INFORMATION THAT IS PROPRIETARY TO MOLEX INCORPORATED AND SHOULD NOT BE USED WITHOUT WRITTEN PERMISSION |                        |                        |  |

9

8

7

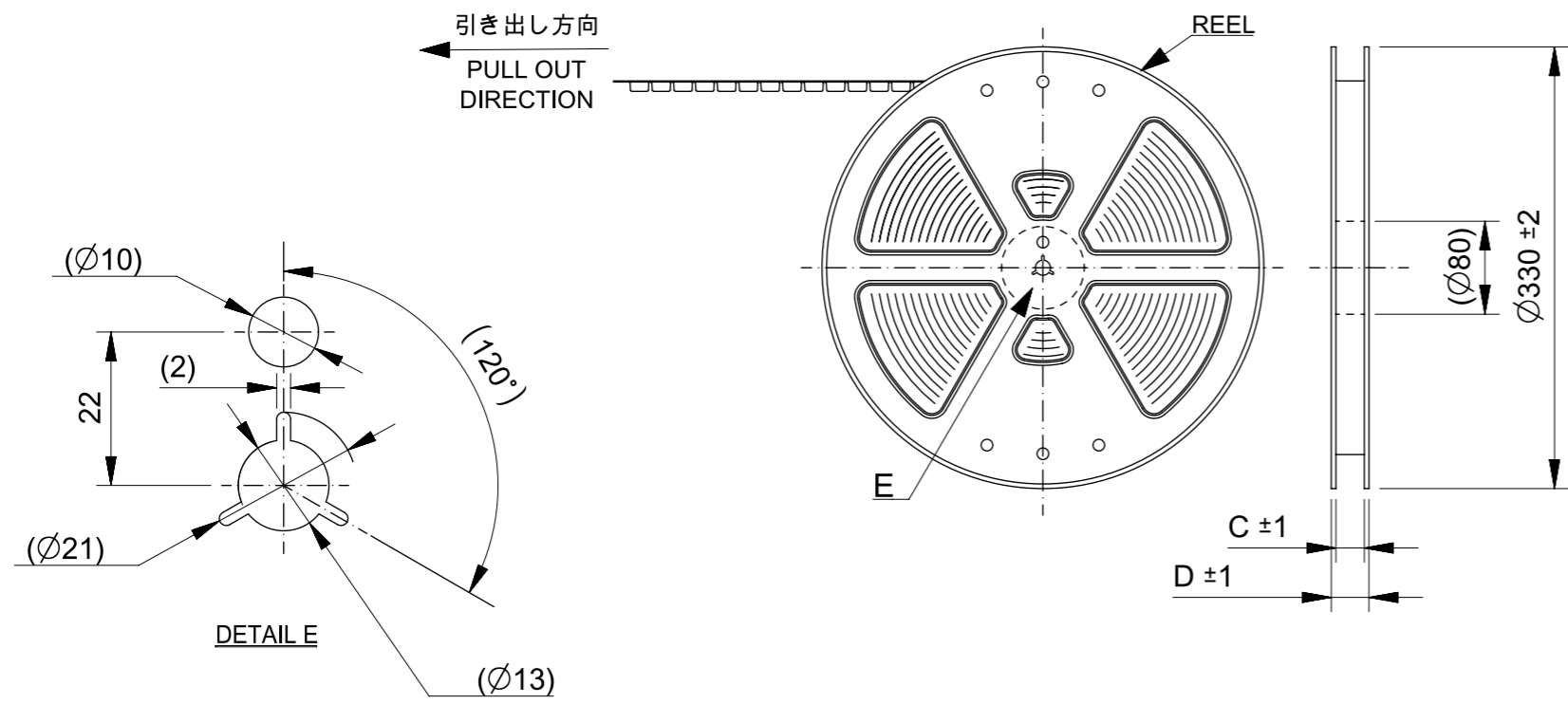
6

5

4

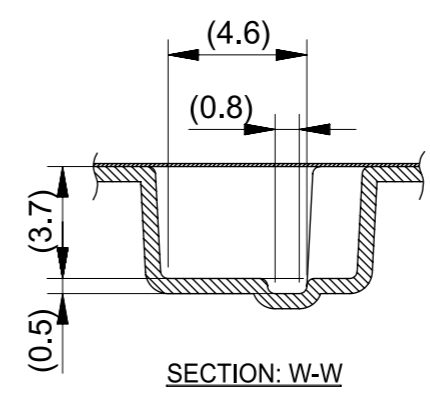
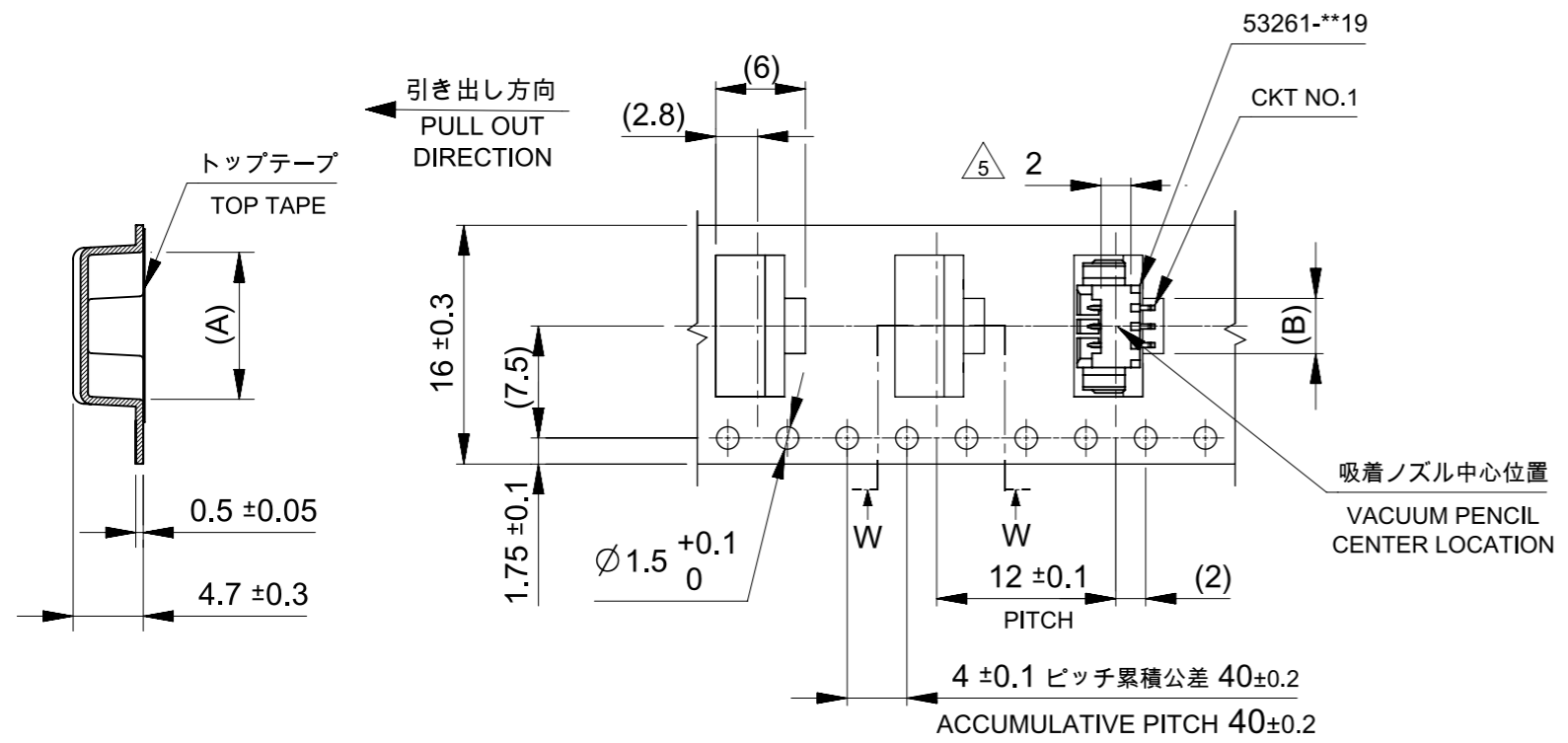
3

2



**注釈 NOTE**

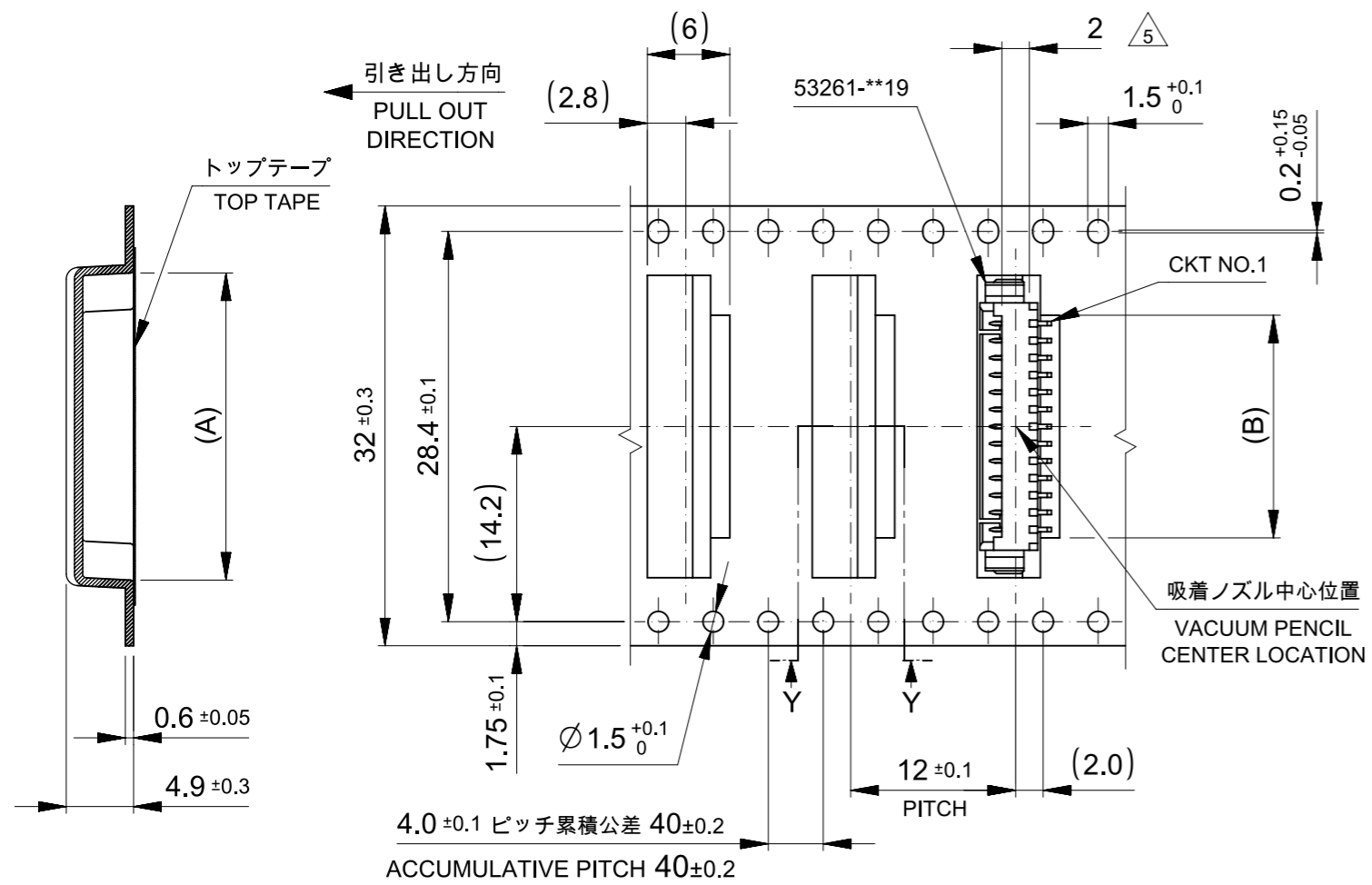
- コネクタ53261-\*\*19の詳細寸法については図面SD-53261-024をご参照ください。  
REFER TO DRAWING SD-53261-024 FOR DETAIL DIMENSIONS OF CONNECTOR 53261-\*\*19.
- 梱包数量: 1000個/リール  
NUMBER OF CONNECTOR: 1000PCS/REEL
- リードテープ長さ LEAD TAPE LENGTH  
 トップテープリーダ部 TOP TAPE LEADER PART: 175 ± 25  
 トップテープ未装着部 TOP TAPE NON-BONDED PART: 25 ± 5  
 引き出し方向 PULL OUT DIRECTION  
 リーダ部 (空部) LEADER PART (EMPTY): 120 ± 20  
 部品挿入部 COMPONENT SUPPLIER  
 末端部 (空部) TAIL PART (EMPTY): 150 ± 40
- 材料 (MATERIAL)  
 キャリアテープ (CARRIER TAPE): ポリプロピレン (POLYPROPYLENE)  
 トップテープ (TOP TAPE): PET, PE, PEF  
 リール (REEL): ポリスチレン (PS) <リサイクル材含む> POLYSTYREN (PS) <RECYCLE MATERIAL CONTAINED>
- コネクタハウジング平面部 CONNECTOR HOUSING FLAT AREA.
- 本製品は乾燥剤入りハイバリア梱包仕様である。  
THIS PRODUCT IS HIGH BARRIER PACKAGE WITH DESICCANT.



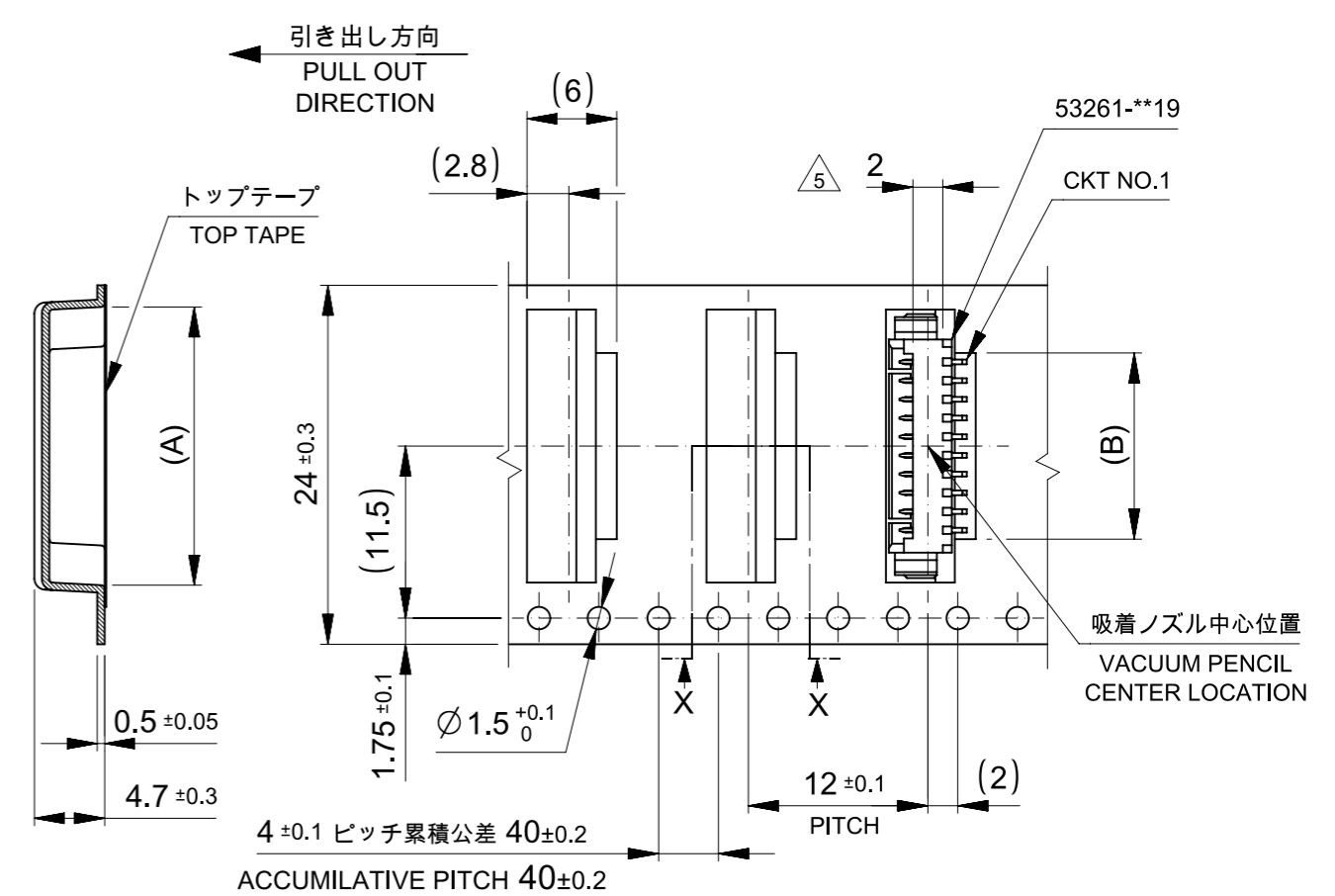
16mm幅キャリアテープ  
16mm WIDTH CARRIER TAPE

|                                |      |      |      |      |                  |   |      |   |                       |    |
|--------------------------------|------|------|------|------|------------------|---|------|---|-----------------------|----|
| 16                             | 21.4 | 17.4 | 3.7  | 9.5  | 53261-0371       | 3 |      |   |                       |    |
|                                |      |      | 2.45 | 8.25 | 53261-0271       | 2 |      |   |                       |    |
| キャリアテープ幅<br>CARRIER TAPE WIDTH |      |      |      |      | D                | C | B    | A | EMBOSSED TAPE PACKAGE | 極数 |
|                                |      |      |      |      | オーダー番号 ORDER NO. |   | CKT. |   |                       |    |

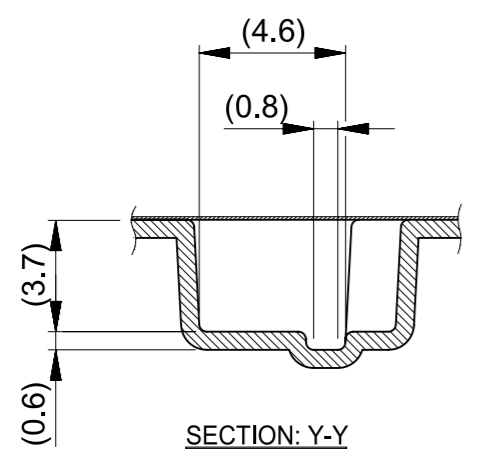
|   |  |              |  |   |  |         |  |                 |  |                 |  |
|---|--|--------------|--|---|--|---------|--|-----------------|--|-----------------|--|
| THIS DRAWING CONTAINS INFORMATION THAT IS PROPRIETARY TO MOLEX ELECTRONIC TECHNOLOGIES, LLC AND SHOULD NOT BE USED WITHOUT WRITTEN PERMISSION |  |              |  |   |  |         |  |                 |  |                 |  |
| DIMENSION UNITS   |  | SCALE        |  | CURRENT REV DESC:   |  |         |  |                 |  |                 |  |
| mm  |  | NTS          |  | <b>molex</b><br>PICOBLADE 1.25 W/B CONN.<br>SMT R/A EMBOSSED TAPE PACKAGE<br>PRODUCT CUSTOMER DRAWING |  |         |  |                 |  |                 |  |
| GENERAL TOLERANCES (UNLESS SPECIFIED)   |  |              |  |   |  |         |  |                 |  |                 |  |
| ANGULAR TOL   |  | ± 3.0 °      |  |   |  |         |  |                 |  |                 |  |
| 4 PLACES  |  | ± 0.2        |  |   |  |         |  |                 |  |                 |  |
| 3 PLACES  |  | ± 0.2        |  |   |  |         |  |                 |  |                 |  |
| 2 PLACES  |  | ± 0.2        |  |   |  |         |  |                 |  |                 |  |
| 1 PLACE   |  | ± 0.2        |  | INITIAL REVISION:   |  |         |  | DOCUMENT NUMBER |  | DOC TYPE        |  |
| 0 PLACES  |  | ± 0.2        |  | DRWN: HSHIMABUKURO 2004/02/20   |  |         |  | SD-53261-023    |  | PSD 001 E       |  |
| DRAFT WHERE APPLICABLE MUST REMAIN WITHIN DIMENSIONS  |  |              |  | THIRD ANGLE PROJECTION  |  | DRAWING |  | SERIES          |  | MATERIAL NUMBER |  |
|   |  |              |  | A3-SIZE   |  | 53261   |  | SEE CHART       |  | GENERAL MARKET  |  |
| DOCUMENT STATUS   |  | RELEASE DATE |  | SHEET NUMBER  |  | 1 OF 4  |  |                 |  |                 |  |



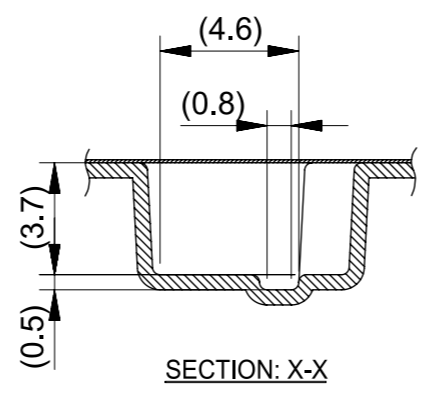
32mm幅キャリアテープ  
32mm WIDTH CARRIER TAPE



24mm幅キャリアテープ  
24mm WIDTH CARRIER TAPE



SECTION: Y-Y

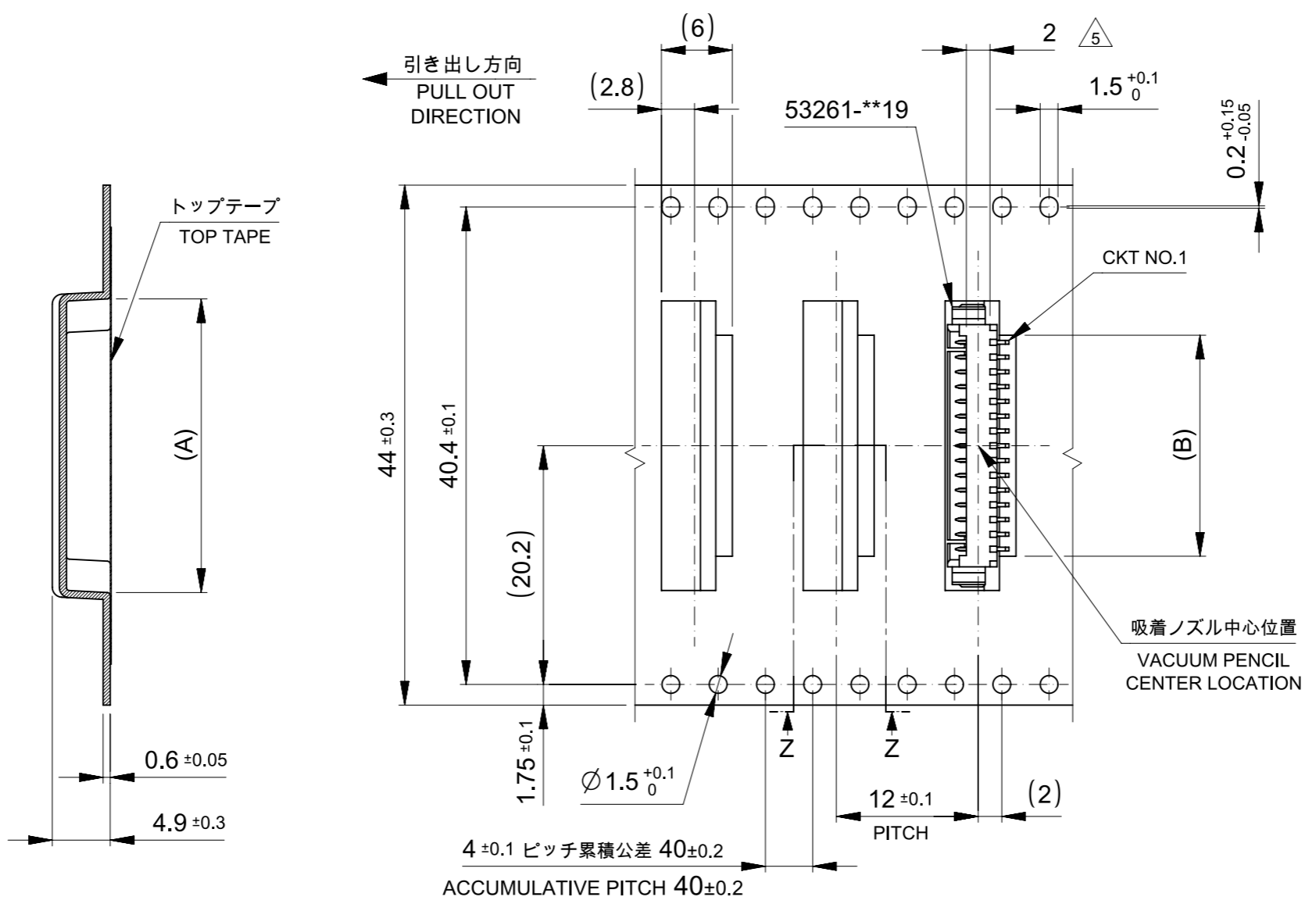


SECTION: X-X

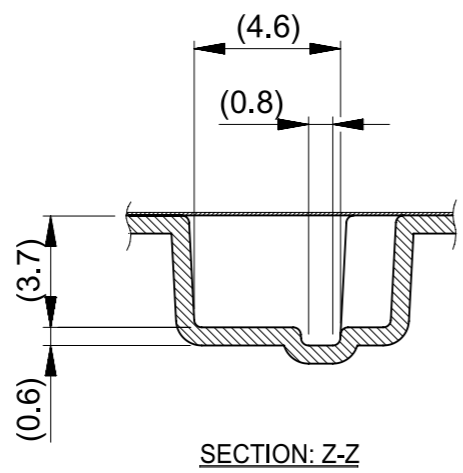
|                                |      |      |       |       |            |   |            |
|--------------------------------|------|------|-------|-------|------------|---|------------|
| 32                             | 37.4 | 33.4 | 16.2  | 22    | 53261-1371 | 13  |            |
|                                |      |      | 14.95 | 20.75 | 53261-1271 | 12  |            |
|                                |      |      | 13.7  | 19.5  | 53261-1171 | 11  |            |
| 24                             | 29.4 | 25.4 | 12.45 | 18.25 | 53261-1071 | 10  |            |
|                                |      |      | 11.2  | 17    | 53261-0971 | 9   |            |
|                                |      |      | 9.95  | 15.75 | 53261-0871 | 8   |            |
|                                |      |      | 8.7   | 14.5  | 53261-0771 | 7   |            |
|                                |      |      | 7.45  | 13.25 | 53261-0671 | 6   |            |
|                                |      |      | 6.2   | 12    | 53261-0571 | 5   |            |
|                                |      |      | 4.95  | 10.75 | 53261-0471 | 4   |            |
| キャリアテープ幅<br>CARRIER TAPE WIDTH |      | D    | C     | B     | A          | EMBOSSED TAPE PACKAGE<br>オーダー番号 ORDER NO. | 極数<br>CKT. |

THIS DRAWING CONTAINS INFORMATION THAT IS PROPRIETARY TO MOLEX ELECTRONIC TECHNOLOGIES, LLC AND SHOULD NOT BE USED WITHOUT WRITTEN PERMISSION

|  |              |                        |            |                          |                 |                |
|--|--------------|------------------------|------------|--------------------------|-----------------|----------------|
| DIMENSION UNITS<br>mm                                      | SCALE<br>NTS | CURRENT REV DESC:      |            | <b>molex</b>             |                 |                |
| GENERAL TOLERANCES (UNLESS SPECIFIED)                      |              | EC NO: 174889          |            |                          |                 |                |
| ANGULAR TOL  | ± 3.0 °      | DRWN: SOBARA01         | 2018/02/07 | PRODUCT CUSTOMER DRAWING |                 |                |
| 4 PLACES   | ± 0.2        | CHK'D: TKANEKO         | 2018/04/13 | DOCUMENT NUMBER          |                 |                |
| 3 PLACES   | ± 0.2        | APPR: TKANEKO          | 2018/04/13 | SD-53261-023             |                 |                |
| 2 PLACES   | ± 0.2        | INITIAL REVISION:      |            | DOC TYPE                 | DOC PART        | REVISION       |
| 1 PLACE  | ± 0.2        | DRWN: HSHIMABUKURO     | 2004/02/20 | PSD                      | 001             | E              |
| 0 PLACES   | ± 0.2        | APPR: MSASAO           | 2004/02/20 | SHEET NUMBER             |                 |                |
| DRAFT WHERE APPLICABLE<br>MUST REMAIN<br>WITHIN DIMENSIONS |              | THIRD ANGLE PROJECTION | DRAWING    | SERIES                   | MATERIAL NUMBER | CUSTOMER       |
|  |              |                        | A3-SIZE    | 53261                    | SEE CHART       | GENERAL MARKET |



44mm幅キャリアテープ  
44mm WIDTH CARRIER TAPE



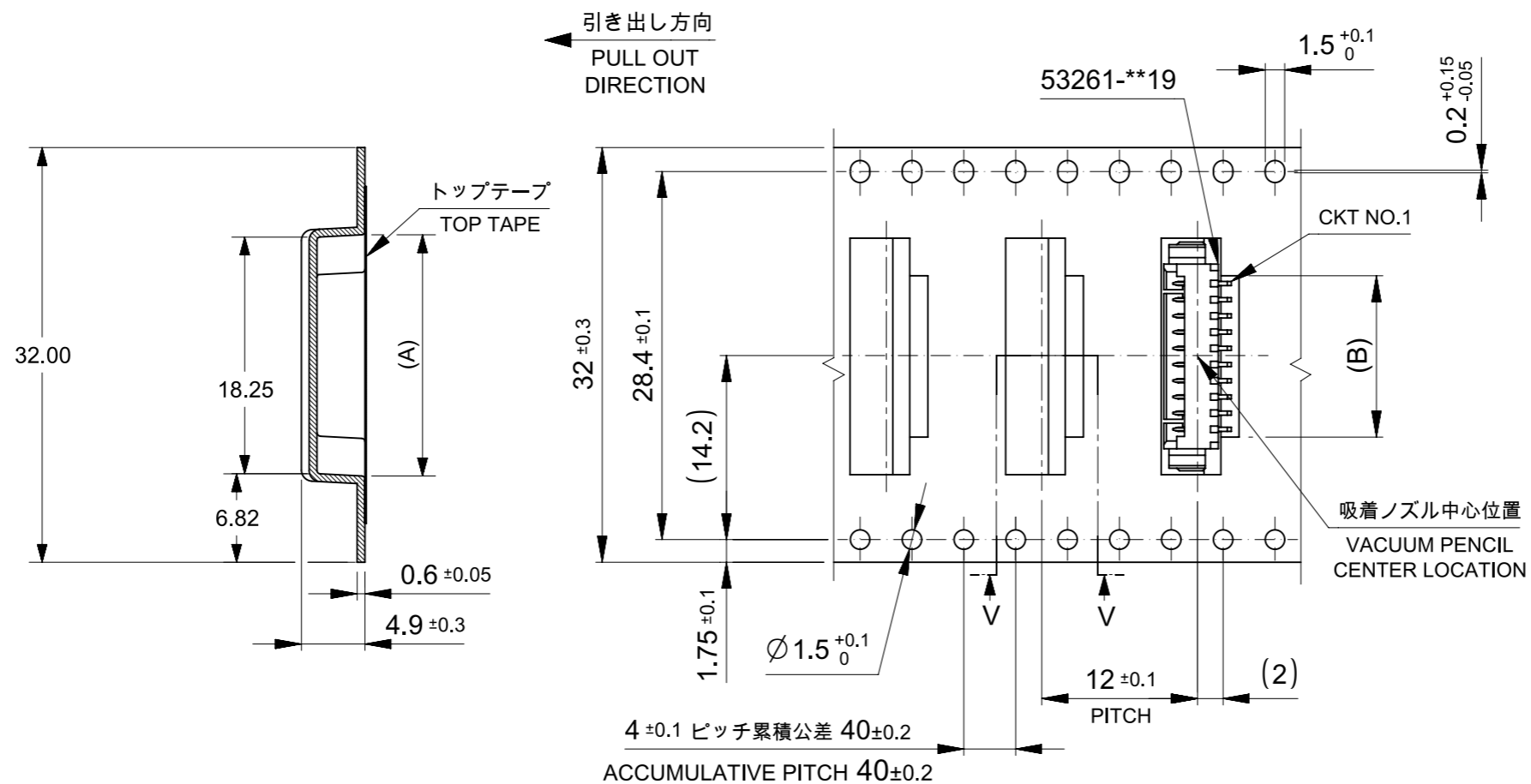
|                                |      |      |       |       |            |   |            |
|--------------------------------|------|------|-------|-------|------------|---|------------|
| 44                             | 49.4 | 45.4 | 21.2  | 27    | 53261-1771 | 17  |            |
|                                |      |      | 18.7  | 24.5  | 53261-1571 | 15  |            |
|                                |      |      | 17.45 | 23.25 | 53261-1471 | 14  |            |
| キャリアテープ幅<br>CARRIER TAPE WIDTH |      | D    | C     | B     | A          | EMBOSSED TAPE PACKAGE<br>オーダー番号 ORDER NO. | 極数<br>CKT. |

THIS DRAWING CONTAINS INFORMATION THAT IS PROPRIETARY TO MOLEX ELECTRONIC TECHNOLOGIES, LLC AND SHOULD NOT BE USED WITHOUT WRITTEN PERMISSION

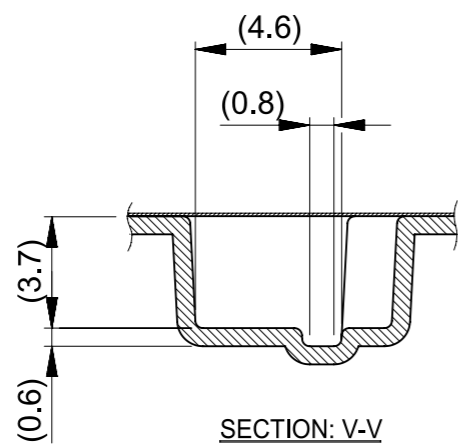
|  |                        |                               |        |                          |                |          |
|--|------------------------|-------------------------------|--------|--------------------------|----------------|----------|
| DIMENSION UNITS<br>mm                                      | SCALE<br>NTS           | CURRENT REV DESC:             |        | <b>molex</b>             |                |          |
| GENERAL TOLERANCES (UNLESS SPECIFIED)                      |                        | EC NO: 174889                 |        |                          |                |          |
| ANGULAR TOL  | ± 3.0 °                | DRWN: SOBARA01 2018/02/07     |        | PRODUCT CUSTOMER DRAWING |                |          |
| 4 PLACES   | ± 0.2                  | CHK'D: TKANEKO 2018/04/13     |        | DOCUMENT NUMBER          |                |          |
| 3 PLACES   | ± 0.2                  | APPR: TKANEKO 2018/04/13      |        | SD-53261-023             |                |          |
| 2 PLACES   | ± 0.2                  | INITIAL REVISION:             |        | DOC TYPE                 | DOC PART       | REVISION |
| 1 PLACE  | ± 0.2                  | DRWN: HSHIMABUKURO 2004/02/20 |        | PSD                      | 001            | E        |
| 0 PLACES   | ± 0.2                  | APPR: MSASAO 2004/02/20       |        | SHEET NUMBER             |                |          |
| DRAFT WHERE APPLICABLE<br>MUST REMAIN<br>WITHIN DIMENSIONS | THIRD ANGLE PROJECTION | DRAWING                       | SERIES | MATERIAL NUMBER          | CUSTOMER       |          |
|  |                        | A3-SIZE                       | 53261  | SEE CHART                | GENERAL MARKET | 3 OF 4   |

|                 |              |
|-----------------|--------------|
| DOCUMENT STATUS | RELEASE DATE |
|-----------------|--------------|

53261-1071  
 韓国生産分に適用  
 APPLIES TO PRODUCT  
 PRODUCED BY MXK



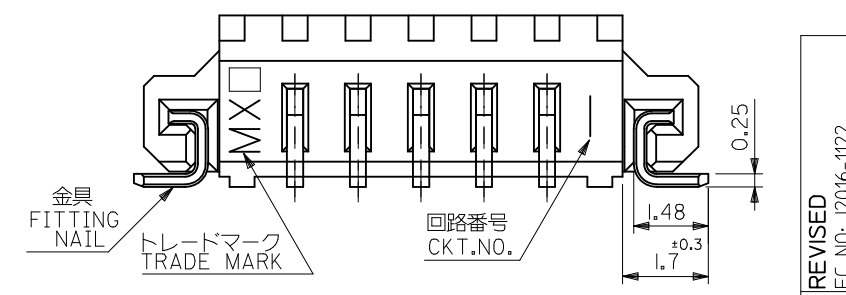
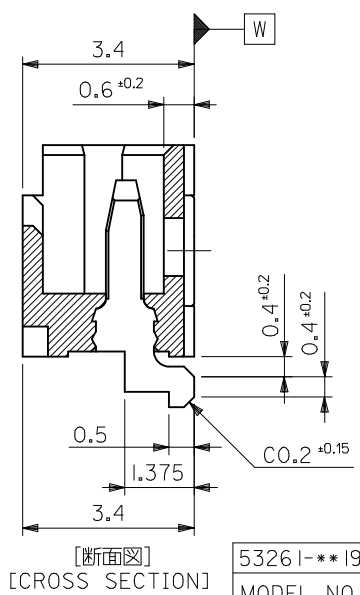
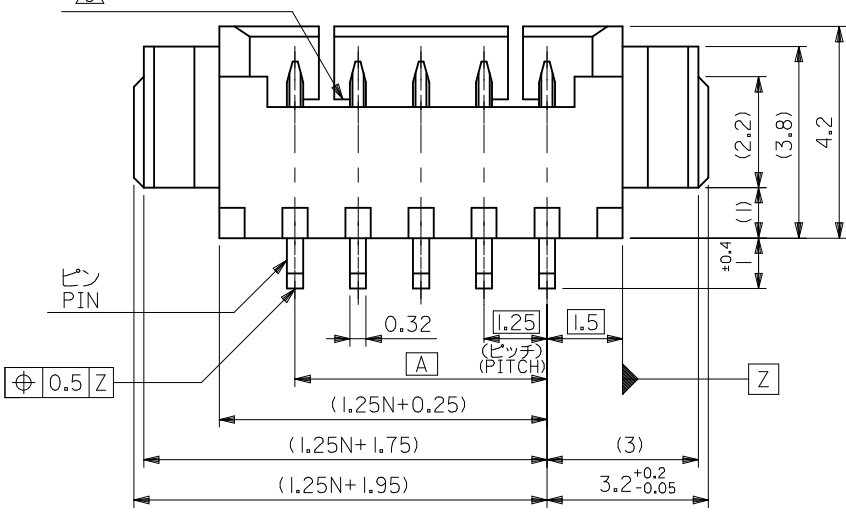
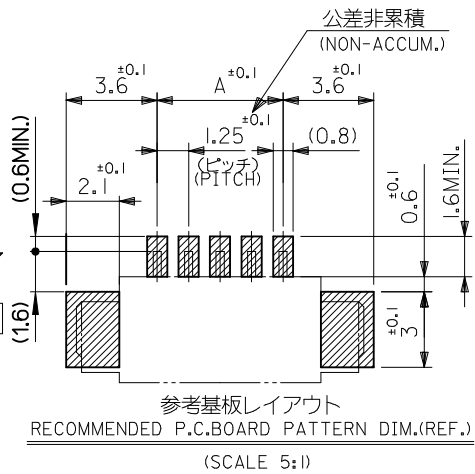
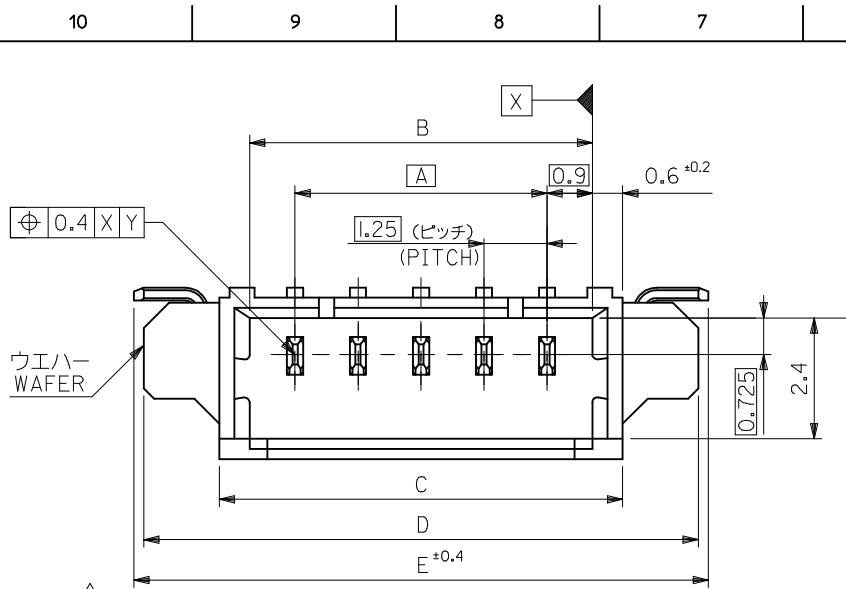
32mm幅キャリアテープ  
 32mm WIDTH CARRIER TAPE



|                                |      |      |       |       |                        |            |
|--------------------------------|------|------|-------|-------|------------------------|------------|
| 32                             | 37.4 | 33.4 | 12.45 | 18.25 | 53261-1071             | 10         |
| キャリアテープ幅<br>CARRIER TAPE WIDTH | D    | C    | B     | A     | EMBOSSSED TAPE PACKAGE | 極数<br>CKT. |
|                                |      |      |       |       | オーダー番号 ORDER NO.       |            |

|   |         |  |         |                          |                 |                |              |
|---|---------|--|---------|--------------------------|-----------------|----------------|--------------|
| THIS DRAWING CONTAINS INFORMATION THAT IS PROPRIETARY TO MOLEX ELECTRONIC TECHNOLOGIES, LLC AND SHOULD NOT BE USED WITHOUT WRITTEN PERMISSION |         | CURRENT REV DESC:                                    |         | <b>molex</b>             |                 |                |              |
| DIMENSION UNITS   | SCALE   | EC NO: 174889  |         |                          |                 |                |              |
| mm  | NTS     | DRWN: SOBARA01 2018/02/07                            |         | PRODUCT CUSTOMER DRAWING |                 |                |              |
| GENERAL TOLERANCES (UNLESS SPECIFIED)   |         | CHK'D: TKANEKO 2018/04/13                            |         | DOCUMENT NUMBER          |                 |                |              |
| ANGULAR TOL   | ± 3.0 ° | APPR: TKANEKO 2018/04/13                             |         | SD-53261-023             |                 | DOC TYPE       | DOC PART     |
| 4 PLACES  | ± 0.2   | INITIAL REVISION:                                    |         | PSD                      |                 | 001            | REVISION     |
| 3 PLACES  | ± 0.2   | DRWN: HSHIMABUKURO 2004/02/20                        |         | E                        |                 |                |              |
| 2 PLACES  | ± 0.2   | APPR: MSASAO 2004/02/20                              |         |                          |                 |                |              |
| 1 PLACE   | ± 0.2   | DRAFT WHERE APPLICABLE MUST REMAIN WITHIN DIMENSIONS |         |                          |                 |                |              |
| 0 PLACES  | ± 0.2   | THIRD ANGLE PROJECTION                               | DRAWING | SERIES                   | MATERIAL NUMBER | CUSTOMER       | SHEET NUMBER |
|   |         |  | A3-SIZE | 53261                    | SEE CHART       | GENERAL MARKET | 4 OF 4       |

|                 |              |
|-----------------|--------------|
| DOCUMENT STATUS | RELEASE DATE |
|-----------------|--------------|



注記 NOTES

- 嵌合相手: 51021 シリーズ  
MATES WITH: 51021 SERIES
- 材質 MATERIAL  
ウエハー: NYLON46, UL94V-0  
ピン: リン青銅  
: PHOS-BRO  
: 銅メッキ 1.0 マイクロメートル以上  
: TIN 1.0 MICROMETER MINIMUM  
: ニッケル下地 1.0 マイクロメートル以上  
: NICKEL (UNDER PLATING) 1.0 MICROMETER MINIMUM  
金具  
FITTING NAIL: リン青銅  
: PHOS-BRO  
: 銅メッキ 1.0 マイクロメートル以上  
: TIN 1.0 MICROMETER MINIMUM  
: ニッケル下地 1.0 マイクロメートル以上  
: NICKEL (UNDER PLATING) 1.0 MICROMETER MINIMUM
- ロック窓は2、3極は1箇所、4極以上は2箇所とする。  
LOCKING WINDOW: ONE PLACE FOR 2 AND 3 CKT. AND TWO PLACES FOR MORE THAN 3 CKT.
- ソリダータール部のスレ量及び金具(補強板)のスレ量は基準面 W に対し、上方向 0.05MAX.、下方向に 0.1 MAX. とする。  
OFFSET BETWEEN BASIS PLANE W TO SOLDER TAIL BOTTOM AND FITTING NAIL BOTTOM:  
UPPER SIDE: 0.05MAX.  
LOWER SIDE: 0.1MAX.
- 本製品は 53261-\*\*-10 の鉛フリー品である。  
THIS PRODUCT IS LEAD FREE OF 53261-\*\*10
- ELV及びRoHS適合品  
ELV AND RoHS COMPLIANT.
- ソルダータール及び金具の平坦度は0.1以下。  
SOLDER TAIL & FITTING NAIL COPLANARITY TO BE 0.1 MAX.

|             |       |       |       |       |            |                             |              |         |
|-------------|-------|-------|-------|-------|------------|-----------------------------|--------------|---------|
| 26.4        | 26    | 23    | 21.8  | 20    | 53261-1771 | 53261-1719                  | 17           |         |
| 23.9        | 23.5  | 20.5  | 19.3  | 17.5  | -1571      | -1519                       | 15           |         |
| 22.65       | 22.25 | 19.25 | 18.05 | 16.25 | -1471      | -1419                       | 14           |         |
| 21.4        | 21    | 18    | 16.8  | 15    | -1371      | -1319                       | 13           |         |
| 20.15       | 19.75 | 16.75 | 15.55 | 13.75 | -1271      | -1219                       | 12           |         |
| 18.9        | 18.5  | 15.5  | 14.3  | 12.5  | -1171      | -1119                       | 11           |         |
| 17.65       | 17.25 | 14.25 | 13.05 | 11.25 | -1071      | -1019                       | 10           |         |
| 16.4        | 16    | 13    | 11.8  | 10    | -0971      | -0919                       | 9            |         |
| 15.15       | 14.75 | 11.75 | 10.55 | 8.75  | -0871      | -0819                       | 8            |         |
| 13.9        | 13.5  | 10.5  | 9.3   | 7.5   | -0771      | -0719                       | 7            |         |
| 12.65       | 12.25 | 9.25  | 8.05  | 6.25  | -0671      | -0619                       | 6            |         |
| 11.4        | 11    | 8     | 6.8   | 5     | -0571      | -0519                       | 5            |         |
| 10.15       | 9.75  | 6.75  | 5.55  | 3.75  | -0471      | -0419                       | 4            |         |
| 8.9         | 8.5   | 5.5   | 4.3   | 2.5   | -0371      | -0319                       | 3            |         |
| 53261-**-19 | 7.65  | 7.25  | 4.25  | 3.05  | 1.25       | 53261-0271                  | 53261-0219   | 2       |
| MODEL NO.   | E     | D     | C     | B     | A          | EMBOSSED TAPE PKG ORDER No. | MATERIAL NO. | 極数 CKT. |

|  |             |            |            |  |            |                 |           |   |                                      |           |                        |
|--|-------------|------------|------------|--|------------|-----------------|-----------|---|--------------------------------------|-----------|------------------------|
| REVISED<br>EC NO: J2016-1122<br>DRWN: QHEJ1<br>CHKD: SAKIYAMA<br>APPR: IKANEKO | 2016/04/26  | 2016/05/06 | 2016/05/06 | GENERAL TOLERANCES (UNLESS SPECIFIED)                |            | DIMENSION STYLE |           | SCALE   | DESIGN UNITS                         |           | THIRD ANGLE PROJECTION |
|  | DESCRIPTION | 0.25 UNDER | UNDER      | ±0.03  | MM ONLY    |                 | DRAWN BY  | DATE  | TITLE                                |           |                        |
|  |             | 0.25 OVER  | 0.5 UNDER  | ±0.05  | DATE       |                 | HS HIMABU | 04/02/06  | 1.25 WIRE TO BOARD WAFER ASS FOR SMT |           |                        |
|  |             | 0.5 OVER   | 1.0 UNDER  | ±0.1   | CHECKED BY |                 | KTOJO     | 04/02/06  | molex                                |           |                        |
|  | 1.0 OVER    | 10 UNDER   | ±0.2       | APPROVED BY  |            | MSASAO          | 04/02/06  | DOCUMENT NO.  |                                      | SHEET NO. |                        |
|  | 10 OVER     | 30 UNDER   | ±0.25      | MATERIAL NO.   |            | SEE CHART       |           | SD-53261-024  |                                      | 1 OF 1    |                        |
|  | 30 OVER     |            | ±0.3       | ANGULAR  |            | SIZE            |           | THIS DRAWING CONTAINS INFORMATION THAT IS PROPRIETARY TO MOLEX ELECTRONIC TECHNOLOGIES, LLC AND SHOULD NOT BE USED WITHOUT WRITTEN PERMISSION |                                      |           |                        |
|  |             |            | ±3 °       | DRAFT WHERE APPLICABLE MUST REMAIN WITHIN DIMENSIONS |            | A3              |           |   |                                      |           |                        |

## Looking for pricing, stock, or lifecycle information?

Click below to explore more details on WIN SOURCE:

 [View 532610271 on WIN SOURCE](#)

 [Molex, LLC Information](#)

## Optimize Your Supply Chain with WIN SOURCE Solutions

-  Global Sourcing Solution
-  Obsolete Management
-  Cost Control Management
-  Shortage Management
-  Alternative Solution
-  Excess Inventory Management