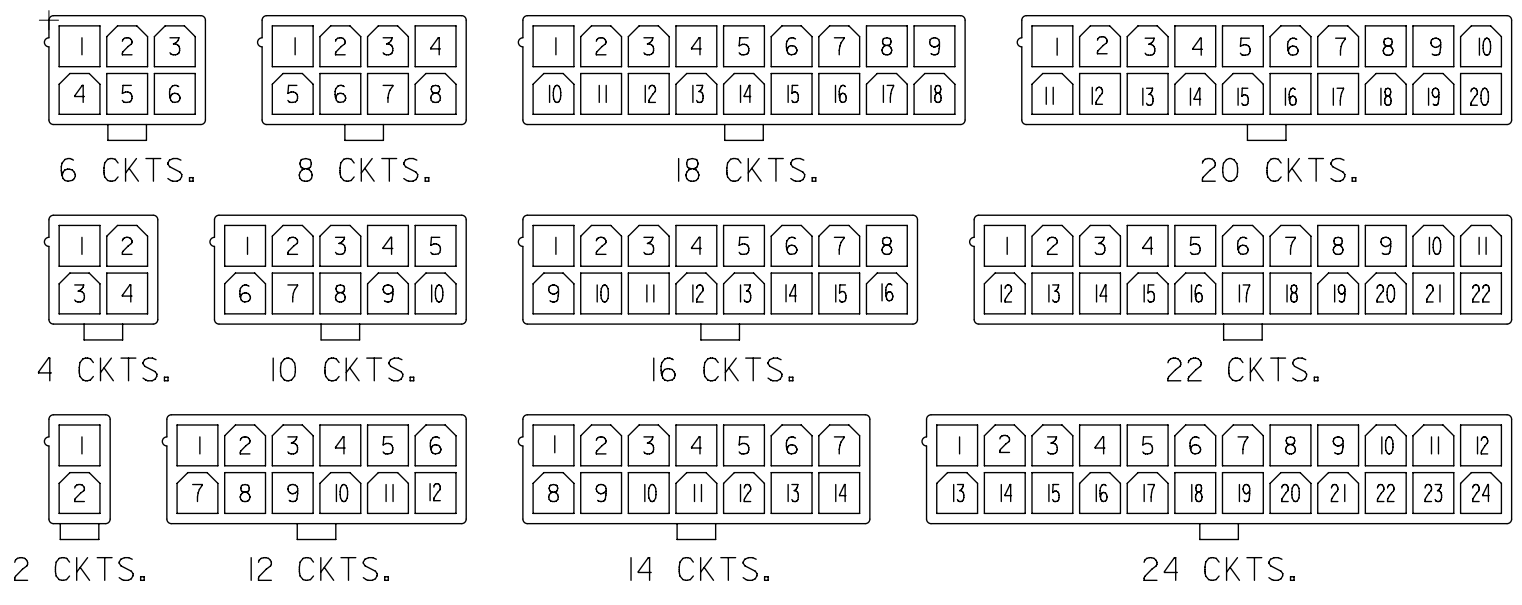




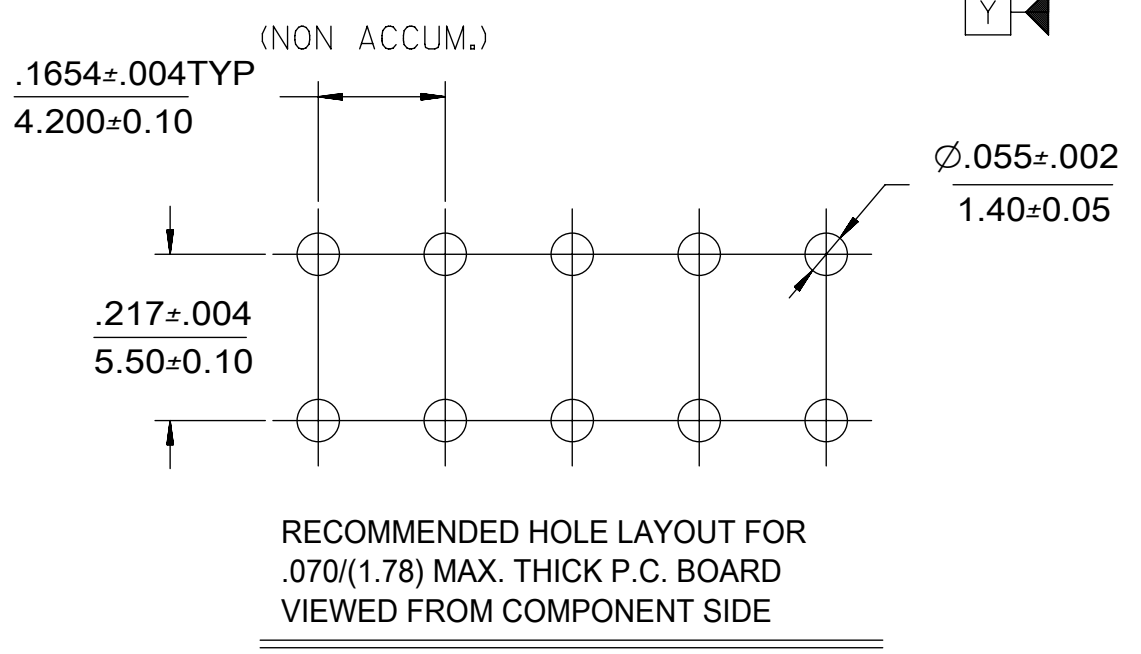
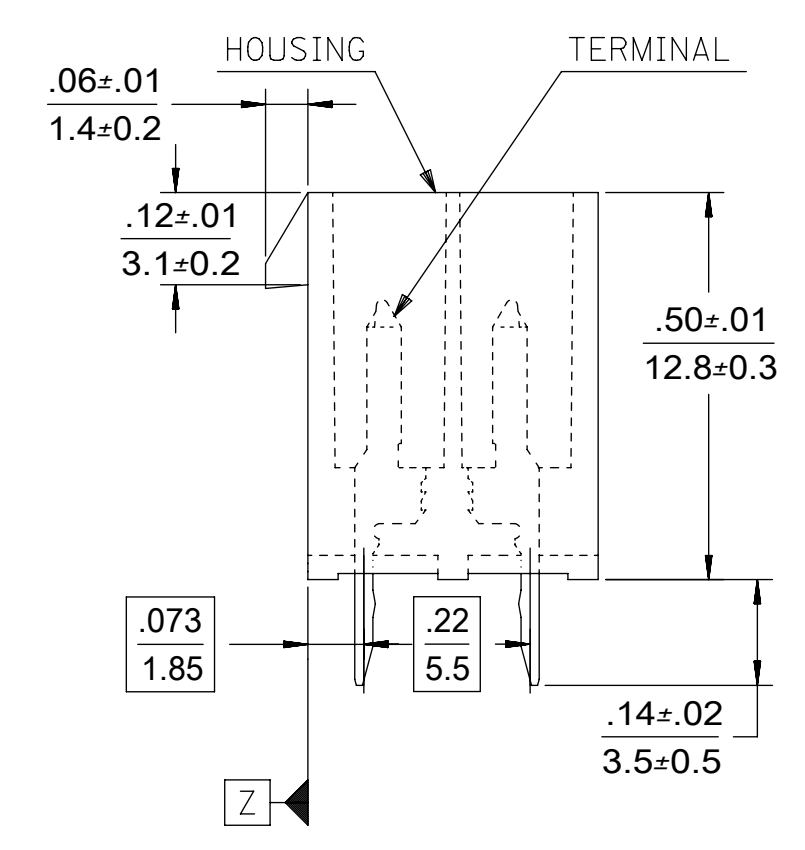
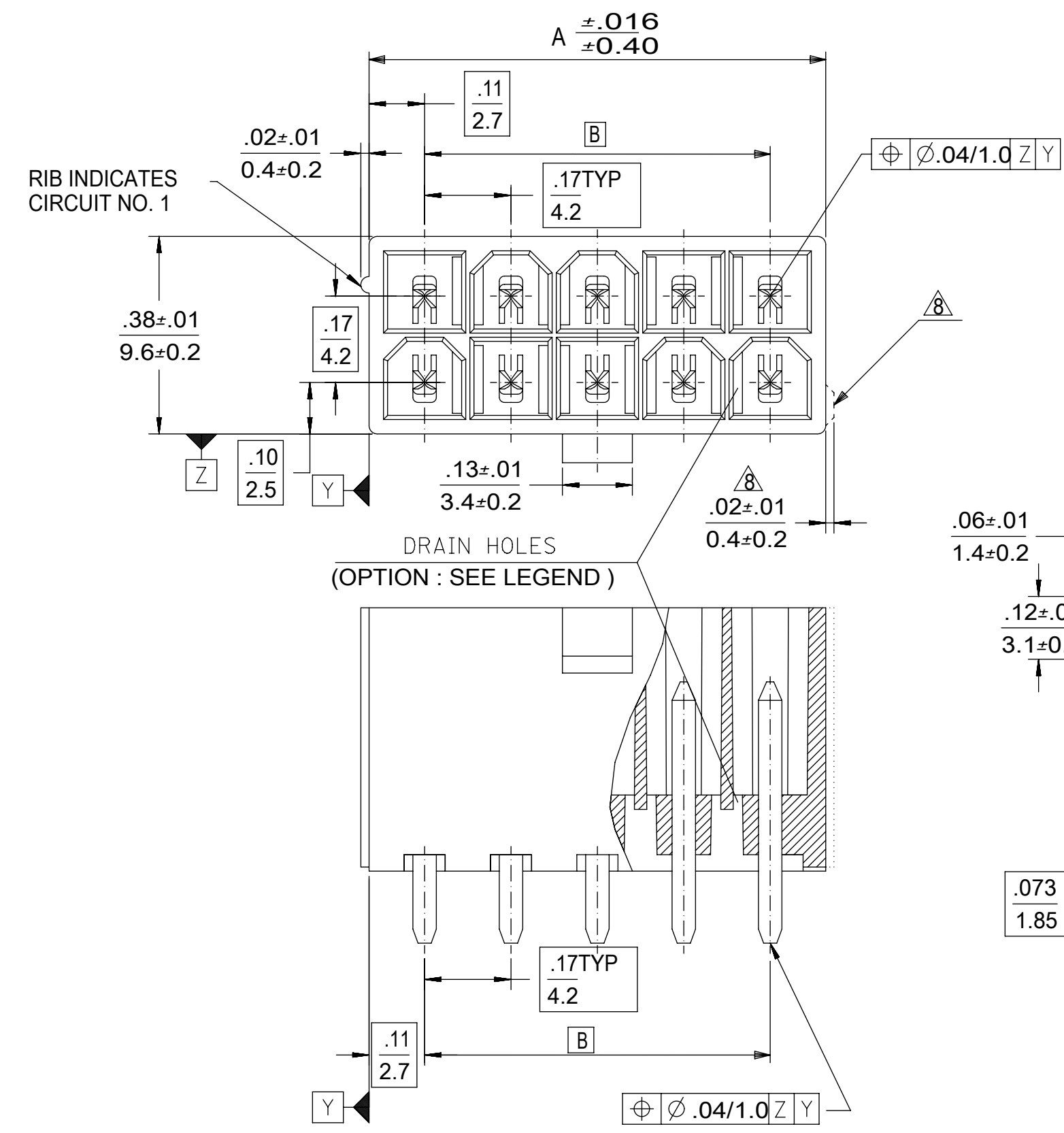
**THE DATASHEET OF**  
**39281083**



CIRCUIT SIZE	DIM. "A"	DIM. "B"
2	.21 (5.4)	—
4	.38 (9.6)	.17 (4.2)
6	.54 (13.8)	.33 (8.4)
8	.71 (18.0)	.50 (12.6)
10	.87 (22.2)	.66 (16.8)
12	1.04 (26.4)	.83 (21.0)
14	1.20 (30.6)	.99 (25.2)
16	1.37 (34.8)	1.16 (29.4)
18	1.54 (39.0)	1.32 (33.6)
20	1.70 (43.2)	1.49 (37.8)
22	1.87 (47.4)	1.65 (42.0)
24	2.03 (51.6)	1.82 (46.2)



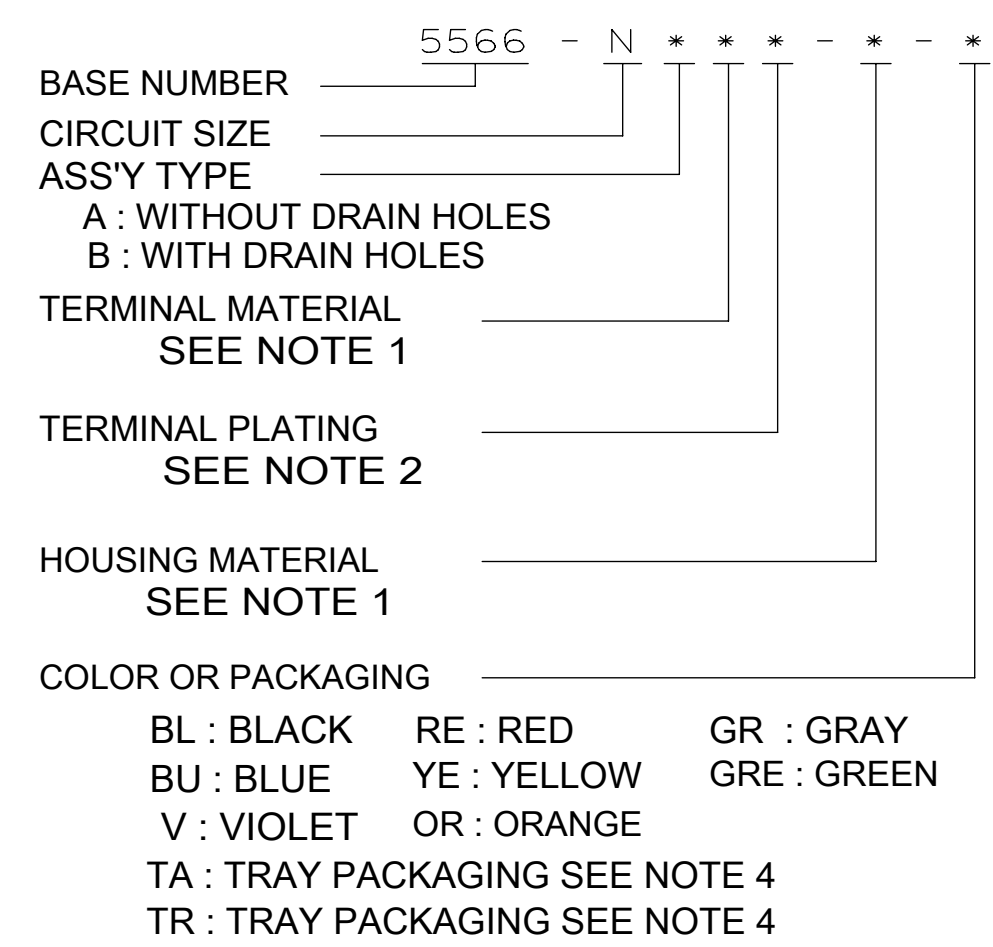
CIRCUIT SIZE LAYOUT



RECOMMENDED HOLE LAYOUT FOR  
.070/(1.78) MAX. THICK P.C. BOARD  
VIEWED FROM COMPONENT SIDE

- NOTES:
- MATERIALS:  
HOUSING:  
"BLANK"=NYLON 6/6, UL94V-2, COLOR: NATURAL  
"210"=NYLON 6/6, UL94V-0, COLOR: NATURAL  
"400"=NYLON 6/6, UL94V-0, COLOR: BLACK  
TERMINALS:  
"BLANK" = BRASS  
"PB" = PHOSPHOR BRONZE
  - TERMINAL PLATING:  
"BLANK" = REFLOWED MATTE TIN .000035/(0.00090) MIN.  
OVER COPPER .000020/(0.00050) MIN. (BRASS) (PREPLATE)  
OR REFLOWED MATTE TIN .000035/(0.00090) MIN. (PHOSPHOR BRONZE) (PREPLATE)  
(FINISH IS BRIGHT IN APPEARANCE, THICKNESS AS APPLIED PRIOR TO REFLOW)  
"S"=.000100/(0.00254) MIN. BRIGHT TIN OVER  
.000050/(0.00127) MIN NICKEL  
"MS"=.000100/(0.00254) MIN. MATTE TIN OVER  
.000050/(0.00127) MIN NICKEL  
"GS2"=.000015/(0.00038) MIN. SELECT GOLD AND  
.000100/(0.00254) MIN. SELECT MATTE TIN  
OVER .000050/(0.00127) MIN. NICKEL OVERALL  
"GS"=.000030/(0.00076) MIN. SELECT GOLD AND  
.000100/(0.00254) MIN. SELECT MATTE TIN  
OVER .000050/(0.00127) MIN. NICKEL OVERALL
  - PRODUCT SPECIFICATION: PS-5556-001
  - PACKAGING: "BLANK"= BULK PACKED,  
"TA"=TRAY PACK PER PK-5566-001, "TR"=TRAY PACK PER PK-5566
  - PART MATES WITH MINI-FIT JR. RECEPTACLE NO. 5557.
  - PART IS NOT DESIGNED FOR CURRENT SHARING.
  - PARTS ARE NOT DESIGNED TO BE MATED OR UN-MATED  
WHILE CIRCUITS ARE LIVE.
  - ANTI-SHINGLING RIB MAY OR MAY NOT APPEAR ON  
HOUSINGS.
  - PART CONFORMS TO CLASS "B" REQUIREMENTS OF  
COSMETIC SPECIFICATION PS-45499-002.
  - TEXT ON PART IS FOR REFERENCE ONLY. TEXT AND TEXT LOCATION MAY VARY  
DEPENDING ON PART NUMBER AND/OR TOOL.

LEGEND



QUALITY SYMBOLS		THIS DRAWING CONTAINS INFORMATION THAT IS PROPRIETARY TO MOLEX ELECTRONIC TECHNOLOGIES, LLC AND SHOULD NOT BE USED WITHOUT WRITTEN PERMISSION		DIMENSION UNITS		SCALE		molex®				
▽ = 0	▽ = 0	2017/08/11	2017/08/18	GENERAL TOLERANCES (UNLESS SPECIFIED)	IN/MM	4:1	<div style="text-align: center;"> <p>MINI FIT JR VERTICAL HEADER ASSEMBLIES WITHOUT PEGS</p> <p>PRODUCT CUSTOMER DRAWING</p> </div>					
▽ = 0	▽ = 0	2017/08/11	2017/08/18	MM	INCH	DRWN BY						DATE
▽ = 0	▽ = 0	2017/08/11	2017/08/18	4 PLACES ±	±	H.HIRAMOTO						1989/04/03
▽ = 0	▽ = 0	2017/08/11	2017/08/18	3 PLACES ±	± 0.005	CHK'D BY						DATE
▽ = 0	▽ = 0	2017/08/11	2017/08/18	2 PLACES ±	± 0.13 ± 0.01	M.FUKUSHIMA						1994/04/20
▽ = 0	▽ = 0	2017/08/11	2017/08/18	1 PLACES ±	± 0.25 ±	APPR BY						DATE
▽ = 0	▽ = 0	2017/08/11	2017/08/18	0 PLACES ±	±	FSMITH						2012/05/04
▽ = 0	▽ = 0	2017/08/11	2017/08/18	ANGULAR TOL = 0.5		DRAWING SIZE						THIRD ANGLE PROJECTION
▽ = 0	▽ = 0	2017/08/11	2017/08/18	DRAFT WHERE APPLICABLE MUST REMAIN WITHIN DIMENSIONS		C						
▽ = 0	▽ = 0	2017/08/11	2017/08/18									
ADD PINS	EC NO: 120605	DRWN: ZHARPER	CHK'D: JBELL	APPR: FSMITH				SERIES	MATERIAL NUMBER	CUSTOMER		
	M2							5566	SEE TABLE	GENERAL MARKET		
								DOCUMENT NUMBER	DOC TYPE	DOC PART		
								SD-5566-002	PSD	000		
										SHEET NUMBER		
										1 OF 5		

	12	11	10	9	8	7	6	5	4	3	2	1	
				39-30-9245	5566-24AGS2-210	39-29-6248	5566-24AGS-210				39-28-8240	5566-24A-210	24
				39-30-9225	5566-22AGS2-210	39-29-6228	5566-22AGS-210				39-28-8220	-22A-210	22
				39-30-9205	5566-20AGS2-210	39-29-6208	5566-20AGS-210				39-28-8200	-20A-210	20
				39-30-9185	5566-18AGS2-210	39-29-6188	5566-18AGS-210				39-28-8180	-18A-210	18
				39-30-9165	5566-16AGS2-210	39-29-6168	5566-16AGS-210	39-30-6162	5566-16AS-210		39-28-8160	-16A-210	16
				39-30-9145	5566-14AGS2-210	39-29-6148	5566-14AGS-210				39-28-8140	-14A-210	14
				39-30-9125	5566-12AGS2-210	39-29-6128	5566-12AGS-210				39-28-8120	-12A-210	12
				39-30-9105	5566-10AGS2-210	39-29-6108	5566-10AGS-210				39-28-8100	-10A-210	10
				39-30-9085	5566-08AGS2-210	39-29-6088	5566-08AGS-210	39-30-6082	5566-08AS-210		39-28-8080	-08A-210	8
				39-30-9065	5566-06AGS2-210	39-29-6068	5566-06AGS-210	39-30-6062	5566-06AS-210		39-28-8060	-06A-210	6
				39-30-9045	5566-04AGS2-210	39-29-6048	5566-04AGS-210	39-30-6042	5566-04AS-210		39-28-8040	-04A-210	4
				39-30-9025	5566-02AGS2-210	39-29-6028	5566-02AGS-210				39-28-8020	5566-02A-210	2
	EDP NO.	ENG. NO.	EDP NO.	ENG. NO.	EDP NO.	ENG. NO.	EDP NO.	ENG. NO.	EDP NO.	ENG. NO.	EDP NO.	ENG. NO.	CKT. SIZE
	5566-NAPB-210		5566-NAGS2-210		5566-NAGS-210		5566-NAS-210		5566-NA-210				
	39-29-5246	5566-24APB	39-30-9244	5566-24AGS2	39-29-0243	5566-24AGS					39-28-1243	5566-24A	24
			39-30-9224	5566-22AGS2	39-29-0223	5566-22AGS					39-28-1223	5566-22A	22
			39-30-9204	5566-20AGS2	39-29-0203	5566-20AGS					39-28-1203	5566-20A	20
			39-30-9184	5566-18AGS2	39-29-0183	5566-18AGS					39-28-1183	5566-18A	18
			39-30-9164	5566-16AGS2	39-29-0163	5566-16AGS					39-28-1163	5566-16A	16
	39-29-5146	5566-14APB	39-30-9144	5566-14AGS2	39-29-0143	5566-14AGS					39-28-1143	5566-14A	14
			39-30-9124	5566-12AGS2	39-29-0123	5566-12AGS					39-28-1123	5566-12A	12
	39-29-5106	5566-10APB	39-30-9104	5566-10AGS2	39-29-0103	5566-10AGS	39-30-6101	5566-10AS			39-28-1103	5566-10A	10
	39-29-5086	5566-08APB	39-30-9084	5566-08AGS2	39-29-0083	5566-08AGS	39-30-6081	5566-08AS			39-28-1083	5566-08A	8
	39-29-5066	5566-06APB	39-30-9064	5566-06AGS2	39-29-0063	5566-06AGS					39-28-1063	5566-06A	6
	39-29-5046	5566-04APB	39-30-9044	5566-04AGS2	39-29-0043	5566-04AGS					39-28-1043	5566-04A	4
	39-29-5026	5566-02APB	39-30-9024	5566-02AGS2	39-29-0023	5566-02AGS					39-28-1023	5566-02A	2
	EDP NO.	ENG. NO.	EDP NO.	ENG. NO.	EDP NO.	ENG. NO.	EDP NO.	ENG. NO.	EDP NO.	ENG. NO.	EDP NO.	ENG. NO.	CKT. SIZE
	5566-NAPB		5566-NAGS2		5566-NAGS		5566-NAS		5566-NA				

PARTS WITHOUT DRAIN HOLES

<b>QUALITY SYMBOLS</b> 	THIS DRAWING CONTAINS INFORMATION THAT IS PROPRIETARY TO MOLEX ELECTRONIC TECHNOLOGIES, LLC AND SHOULD NOT BE USED WITHOUT WRITTEN PERMISSION														
	<b>ADD PINS</b> EC NO: 120605 DRWN: ZHARPER CHKD: JBELL REV: APPR: FSMITH	<b>GENERAL TOLERANCES (UNLESS SPECIFIED)</b>				<b>DIMENSION UNITS</b> IN/MM		<b>SCALE</b> 1:1							
		4 PLACES ±		3 PLACES ±		2 PLACES ±		1 PLACES ±						0 PLACES ±	
		4 PLACES ±		3 PLACES ±		2 PLACES ±		1 PLACES ±		0 PLACES ±		<b>DRWN BY</b> H.HIRAMOTO		<b>DATE</b> 1989/04/03	
		4 PLACES ±		3 PLACES ±		2 PLACES ±		1 PLACES ±		0 PLACES ±		<b>CHK'D BY</b> M.FUKUSHIMA		<b>DATE</b> 1994/04/20	
		4 PLACES ±		3 PLACES ±		2 PLACES ±		1 PLACES ±		0 PLACES ±		<b>APPR BY</b> FSMITH		<b>DATE</b> 2012/05/04	
		4 PLACES ±		3 PLACES ±		2 PLACES ±		1 PLACES ±		0 PLACES ±		<b>DRAWING SIZE</b> C		<b>THIRD ANGLE PROJECTION</b>	
		4 PLACES ±		3 PLACES ±		2 PLACES ±		1 PLACES ±		0 PLACES ±		<b>SERIES</b> 5566		<b>MATERIAL NUMBER</b> SEE TABLE	
		4 PLACES ±		3 PLACES ±		2 PLACES ±		1 PLACES ±		0 PLACES ±		<b>CUSTOMER</b> GENERAL MARKET		<b>DOCUMENT NUMBER</b> SD-5566-002	
		4 PLACES ±		3 PLACES ±		2 PLACES ±		1 PLACES ±		0 PLACES ±		<b>DOC TYPE</b> PSD		<b>DOC PART</b> 000	
4 PLACES ±		3 PLACES ±		2 PLACES ±		1 PLACES ±		0 PLACES ±		<b>SHEET NUMBER</b> 2 OF 5					



COLORED PART NUMBERS

						24
						22
						20
46999-0085	5566-18AS-RE					18
						16
						14
						12
				46999-0087	5566-10AS-V	10
						8
		46999-0089	5566-08AS-OR			6
						4
						2
EDP. NO.	ENG. NO.	EDP. NO.	ENG. NO.	EDP. NO.	ENG. NO.	CKT. SIZE
5566-NAS-RE		5566-NAS-OR		5566-NAS-V		

TRAY PACKED PER TA $\triangle$ 4	46999-0575	5566-24AMS-400	TRAY PACKED PER TA $\triangle$ 4							24		
	46999-0574	5566-22AMS-400									22	
	46999-0573	5566-20AMS-400									20	
	46999-0572	5566-18AMS-400									18	
	46999-0571	5566-16AMS-400									16	
	46999-0570	5566-14AMS-400									14	
	46999-0569	5566-12AMS-400									12	
	46999-0568	5566-10AMS-400		46999-0876	5566-10AMS-RE					39-33-0108	5566-10A-400	10
	46999-0567	5566-08AMS-400				46999-0091	5566-08AS-GRE					8
	46999-0566	5566-06AMS-400										6
	46999-0565	5566-04AMS-400										4
	46999-0564	5566-02AMS-400				50-36-2485	5566-02AS-GRE	39-34-5023	5566-02A-210-YE			2
EDP. NO.	ENG. NO.	EDP. NO.	ENG. NO.	EDP. NO.	ENG. NO.	EDP. NO.	ENG. NO.	EDP. NO.	ENG. NO.	CKT. SIZE		
5566-NAMS-400		5566-NAMS-RE		5566-NAS-GRE		5566-NA-210-YE		5566-NA-400				
										24		
										22		
										20		
										18		
										16		
39-33-3145	5566-14A-GR							39-33-3143	5566-14A-BL	14		
										12		
				39-33-3106	5566-10A-RE	39-33-3104	5566-10A-BU			10		
				39-33-3087	5566-08A-YE	39-33-3086	5566-08A-RE			8		
				39-33-3067	5566-06A-YE	39-33-3066	5566-06A-RE	39-33-3064	5566-06A-BU	6		
						39-33-3046	5566-04A-RE	39-33-3044	5566-04A-BU	4		
				39-33-3027	5566-02A-YE	39-33-3026	5566-02A-RE	39-33-3024	5566-02A-BU	2		
EDP. NO.	ENG. NO.	EDP. NO.	ENG. NO.	EDP. NO.	ENG. NO.	EDP. NO.	ENG. NO.	EDP. NO.	ENG. NO.	CKT. SIZE		
5566-NA-GR		5566-NA-YE		5566-NA-RE		5566-NA-BU		5566-NA-BL				

PARTS WITHOUT DRAIN HOLES

THIS DRAWING CONTAINS INFORMATION THAT IS PROPRIETARY TO MOLEX ELECTRONIC TECHNOLOGIES, LLC AND SHOULD NOT BE USED WITHOUT WRITTEN PERMISSION											
QUALITY SYMBOLS		ADD PINS		EC NO: 120605		DRWN: ZHARPER		CHKD: JBELL		REV: APPR: FSMITH	
$\nabla$ = 0	$\nabla$ = 0	$\nabla$ = 0	$\nabla$ = 0	$\nabla$ = 0	$\nabla$ = 0	$\nabla$ = 0	$\nabla$ = 0	$\nabla$ = 0	$\nabla$ = 0	$\nabla$ = 0	$\nabla$ = 0
GENERAL TOLERANCES (UNLESS SPECIFIED)				DIMENSION UNITS		SCALE		<b>molex</b>			
				IN/MM		1:1					
				MM		INCH		MINI FIT JR VERTICAL HEADER ASSEMBLIES WITHOUT PEGS			
				4 PLACES $\pm$		$\pm$					
				3 PLACES $\pm$		$\pm 0.005$		PRODUCT CUSTOMER DRAWING			
				2 PLACES $\pm$		$\pm 0.13$					
				1 PLACES $\pm$		$\pm 0.25$		SERIES: 5566 MATERIAL NUMBER: SEE TABLE CUSTOMER: GENERAL MARKET			
				0 PLACES $\pm$		$\pm$					
ANGULAR TOL = 0.5				DRAWING SIZE		THIRD ANGLE PROJECTION		DOCUMENT NUMBER: SD-5566-002 DOC TYPE: PSD DOC PART: 000 SHEET NUMBER: 4 OF 5			
DRAFT WHERE APPLICABLE MUST REMAIN WITHIN DIMENSIONS				C							



## Looking for pricing, stock, or lifecycle information?

Click below to explore more details on WIN SOURCE:

 [View 39281083 on WIN SOURCE](#)

 [Molex, LLC Information](#)

## Optimize Your Supply Chain with WIN SOURCE Solutions

-  Global Sourcing Solution
-  Obsolete Management
-  Cost Control Management
-  Shortage Management
-  Alternative Solution
-  Excess Inventory Management