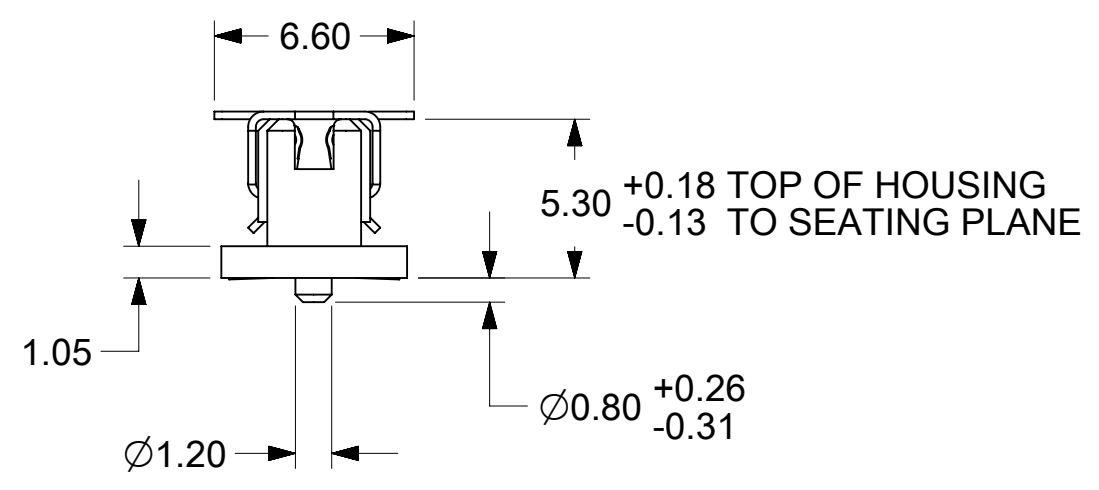
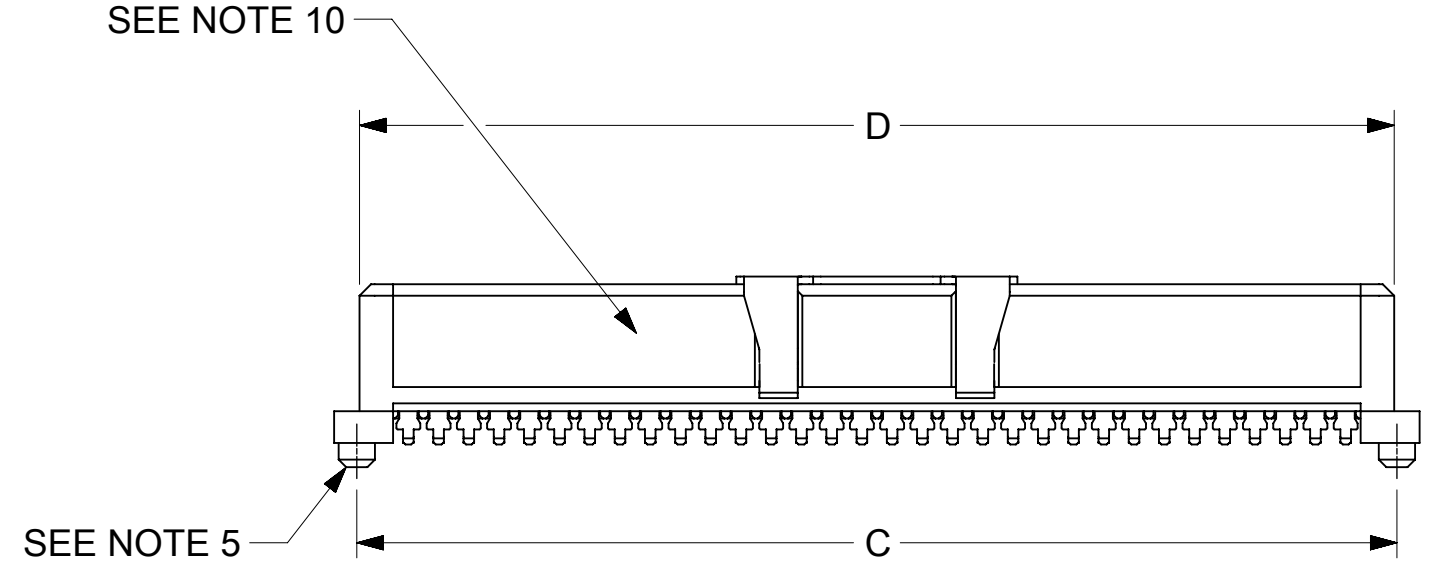
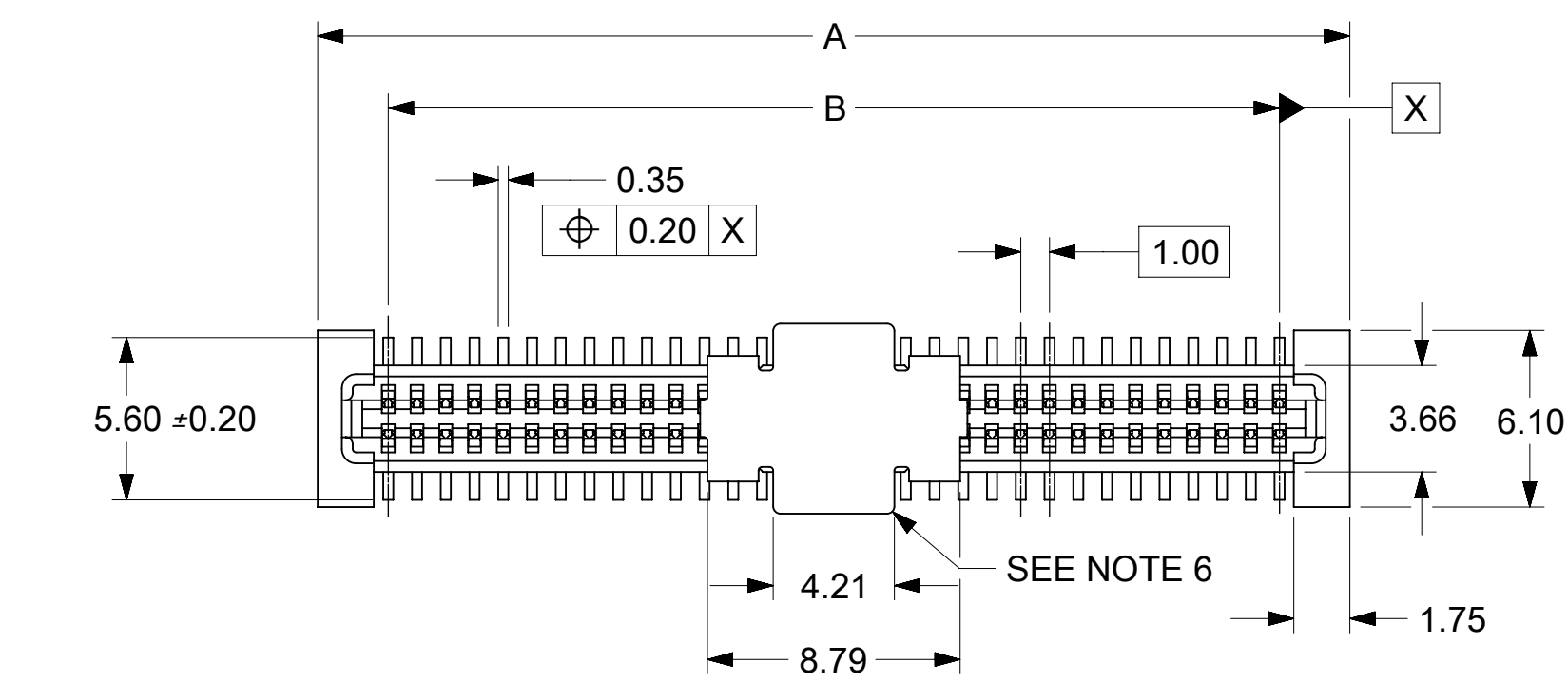


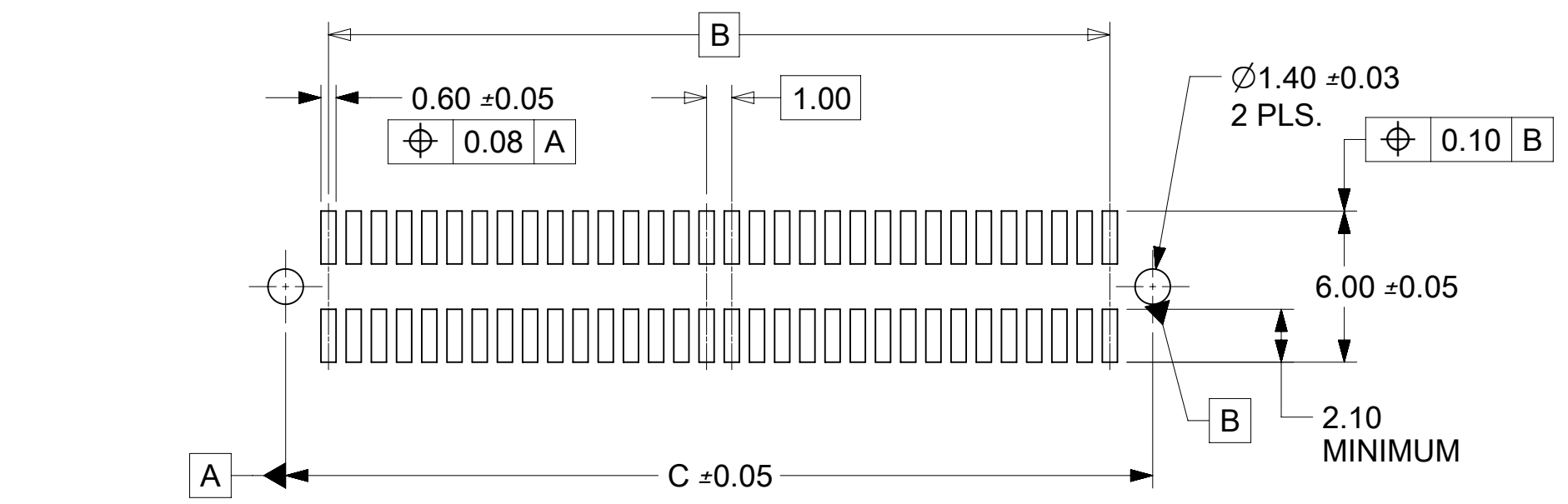
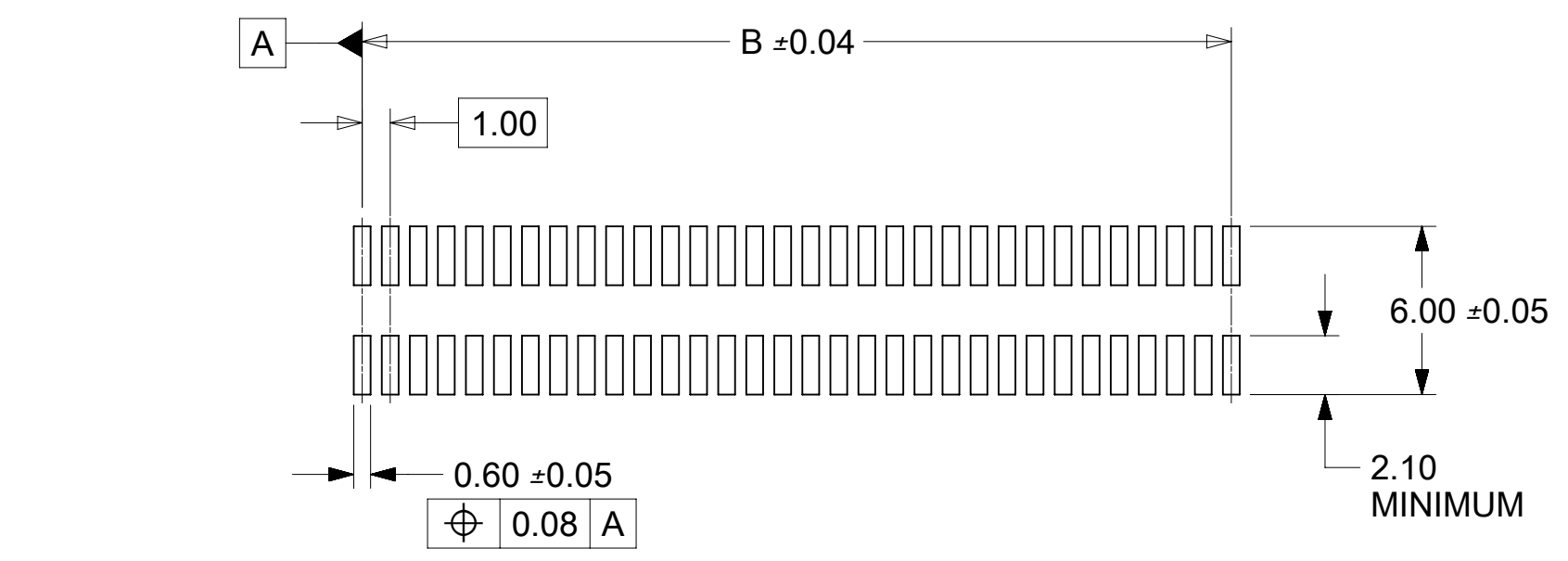


THE DATASHEET OF
714390164





CIRCUIT SIZE	DIM.A	DIM.B	DIM.C	DIM.D
20	13.90	9.00	12.40	12.22
30	18.90	14.00	17.40	17.22
40	23.90	19.00	22.40	22.22
50	28.90	24.00	27.40	27.22
60	33.90	29.00	32.40	32.22
64	35.90	31.00	34.40	34.22
70	38.90	34.00	37.40	37.22
80	43.90	39.00	42.40	42.22
84	45.90	41.00	44.40	44.22
90	48.90	44.00	47.40	47.22
100	53.90	49.00	52.40	52.22
110	58.90	54.00	57.40	57.22
120	63.90	59.00	62.40	62.22



**RECOMMENDED PCB LAYOUT
(WITH AND WITHOUT PEGS)
RECOMMENDED PCB THICKNESS: 1.00±0.10**

NOTES

- HOUSING MATERIAL: GLASS FILLED LIQUID CRYSTAL POLYMER(LCP) ; UL 94V-0; SEE SHEET 2 FOR COLOR.
TERMINAL MATERIAL: PHOSPHOR BRONZE; 0.205 THICK
VACUUM CAP MATERIAL: STAINLESS STEEL; 0.255 THICK.
- CONTACT PLATING FINISH: REFER TO CHART ON SHEET 2.
- THIS PART, WHEN MATED WITH MOLEX 1.0mm PLUG CONNECTOR SERIES 71436, CONFORMS TO MOLEX PRODUCT SPECIFICATION PS-71436-9999.
REFER TO CHART ON SHEET 2 FOR MATED STACK HEIGHTS FOR THIS RECEPTACLE.
- PACKAGING SPECIFICATIONS: REFER TO CHART ON SHEET 2.
- PEGS ARE OPTIONAL. REFER TO CHART ON SHEET 2.
- VACUUM PICK & PLACE CAP IS OPTIONAL. REFER TO CHART ON SHEET 2.
- THIS PART CONFORMS TO EIA STANDARD 700 AAAB FOR 1.0mm TWO-PART CONNECTORS FOR USE WITH PARALLEL PRINTED BOARDS.
- COPLANARITY OF SMT TAILS: 0.10mm MAXIMUM.
- 64-CIRCUIT RECEPTACLE ASSEMBLY WITH PEGS AND VACUUM CAP SHOWN FOR ILLUSTRATION PURPOSES ONLY.
- ASSEMBLY TO HAVE DATE CODE: XX XX
WEEK YEAR

THIS DRAWING CONTAINS INFORMATION THAT IS PROPRIETARY TO MOLEX ELECTRONIC TECHNOLOGIES, LLC AND SHOULD NOT BE USED WITHOUT WRITTEN PERMISSION									
DIMENSION UNITS	SCALE	CURRENT REV DESC: REDRAWN IN NX							
mm	4:1								
GENERAL TOLERANCES (UNLESS SPECIFIED)		EC NO: 610884			SALES ASSY, 1.0MM BOARD TO BOARD RECEPTACLE CONNECTOR 5.30 HIGH				
ANGULAR TOL	± 0.5°	DRWN: TTAO03 2019/01/23							
4 PLACES	±	CHK'D: JKACHLIC 2019/02/01			PRODUCT CUSTOMER DRAWING				
3 PLACES	±	APPR: JKACHLIC 2019/02/01							
2 PLACES	± 0.13	INITIAL REVISION:			DOCUMENT NUMBER: 714390000 DOC TYPE: PSD DOC PART: 000 REVISION: A1				
1 PLACE	± 0.25	DRWN: REED 1995/04/03							
0 PLACES	±	APPR: BIXLER 1995/04/03			MATERIAL NUMBER: SEE TABLE CUSTOMER: GENERAL MARKET SHEET NUMBER: 1 OF 2				
DRAFT WHERE APPLICABLE MUST REMAIN WITHIN DIMENSIONS		THIRD ANGLE PROJECTION	DRAWING	SERIES					
			C-SIZE	71439					

WHITE (NATURAL) MATERIAL

PART NUMBER	CIRCUIT SIZE	CONTACT PLATING SEE NOTE BELOW CHARTS	PEGS	PICK & PLACE CAP	PACKAGING SPEC. NUMBER	PACKAGING TYPE
71439-0164	64	30 GOLD	YES	NO	PK-70873-013	TUBE
71439-0264	64	50 GOLD	NO	YES	PK-70873-063	TAPE & REEL
71439-0364	64	30 GOLD	YES	YES	PK-70873-014	TUBE
71439-0464	64	30 GOLD	YES	YES	PK-70873-063	TAPE & REEL
71439-0564	64	30 GOLD	NO	NO	PK-70873-015	TUBE
71439-0764	64	30 GOLD	NO	YES	PK-70873-017	TUBE
71439-0864	64	30 GOLD	NO	YES	PK-70873-063	TAPE & REEL
71439-0664	64	50 GOLD	YES	NO	PK-70873-013	TUBE
71439-0064	64	50 GOLD	NO	NO	PK-70873-015	TUBE

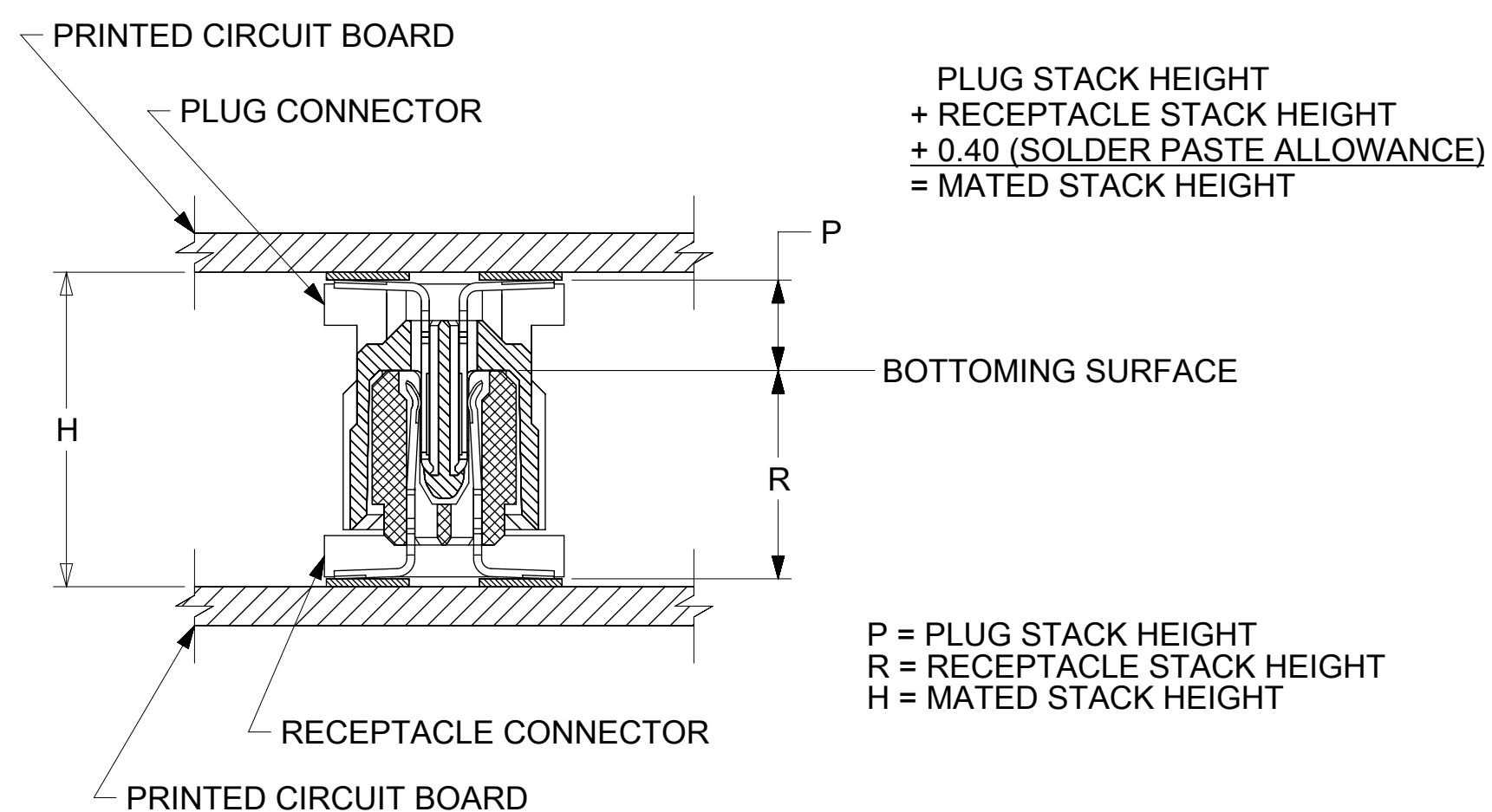
BLACK MATERIAL

PART NUMBER	CIRCUIT SIZE	CONTACT PLATING SEE NOTE BELOW CHARTS	PEGS	PICK & PLACE CAP	PACKAGING SPEC. NUMBER	PACKAGING TYPE
71439-0964	64	30 GOLD	NO	YES	PK-70873-063	TAPE & REEL

CONTACT PLATING :

30 GOLD - 0.76 MICROMETER MINIMUM GOLD IN CONTACT AREA AND
1.91 MICROMETER MINIMUM MATTE TIN IN SOLDER
TAIL AREA. NICKEL UNDERPLATE OVER ENTIRE TERMINAL.

50 GOLD - 1.27 MICROMETER MINIMUM GOLD IN CONTACT AREA AND
1.91 MICROMETER MINIMUM MATTE TIN IN SOLDER
TAIL AREA. NICKEL UNDERPLATE OVER ENTIRE TERMINAL.



RECOMMENDED PLUG/RECEPTACLE COMBINATION FOR MATED STACK HEIGHT PER EIA STANDARD 700 AAAB

MATED STACK HEIGHT	RECEPTACLE HEIGHT	RECEPTACLE SERIES NO.	PLUG HEIGHT	PLUG SERIES NO.
8.00	5.30	71439-0***	2.30	71436-0***
9.00	5.30	71439-0***	3.30	71436-1***
10.00	5.30	71439-0***	4.30	71436-2***

THIS DRAWING CONTAINS INFORMATION THAT IS PROPRIETARY TO MOLEX ELECTRONIC TECHNOLOGIES, LLC AND SHOULD NOT BE USED WITHOUT WRITTEN PERMISSION

DIMENSION UNITS	SCALE	CURRENT REV DESC: REDRAWN IN NX		molex			
mm	---						
GENERAL TOLERANCES (UNLESS SPECIFIED)		EC NO: 610884		SALES ASSY, 1.0MM BOARD TO BOARD RECEPTACLE CONNECTOR 5.30 HIGH			
ANGULAR TOL	± 0.5°	DRWN: TTAO03	2019/01/23				
4 PLACES	±	CHK'D: JKACHLIC	2019/02/01	PRODUCT CUSTOMER DRAWING			
3 PLACES	±	APPR: JKACHLIC	2019/02/01				
2 PLACES	± 0.13	INITIAL REVISION:		DOCUMENT NUMBER			
1 PLACE	± 0.25	DRWN: REED	1995/04/03				
0 PLACES	±	APPR: BIXLER	1995/04/03	714390000			
DRAFT WHERE APPLICABLE MUST REMAIN WITHIN DIMENSIONS		THIRD ANGLE PROJECTION	DRAWING				SERIES
			C-SIZE	71439	SEE TABLE	GENERAL MARKET	2 OF 2

Looking for pricing, stock, or lifecycle information?

Click below to explore more details on WIN SOURCE:

 [View 714390164 on WIN SOURCE](#)

 [Molex, LLC Information](#)

Optimize Your Supply Chain with WIN SOURCE Solutions

-  Global Sourcing Solution
-  Obsolete Management
-  Cost Control Management
-  Shortage Management
-  Alternative Solution
-  Excess Inventory Management