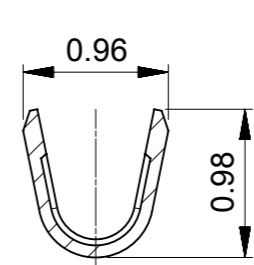
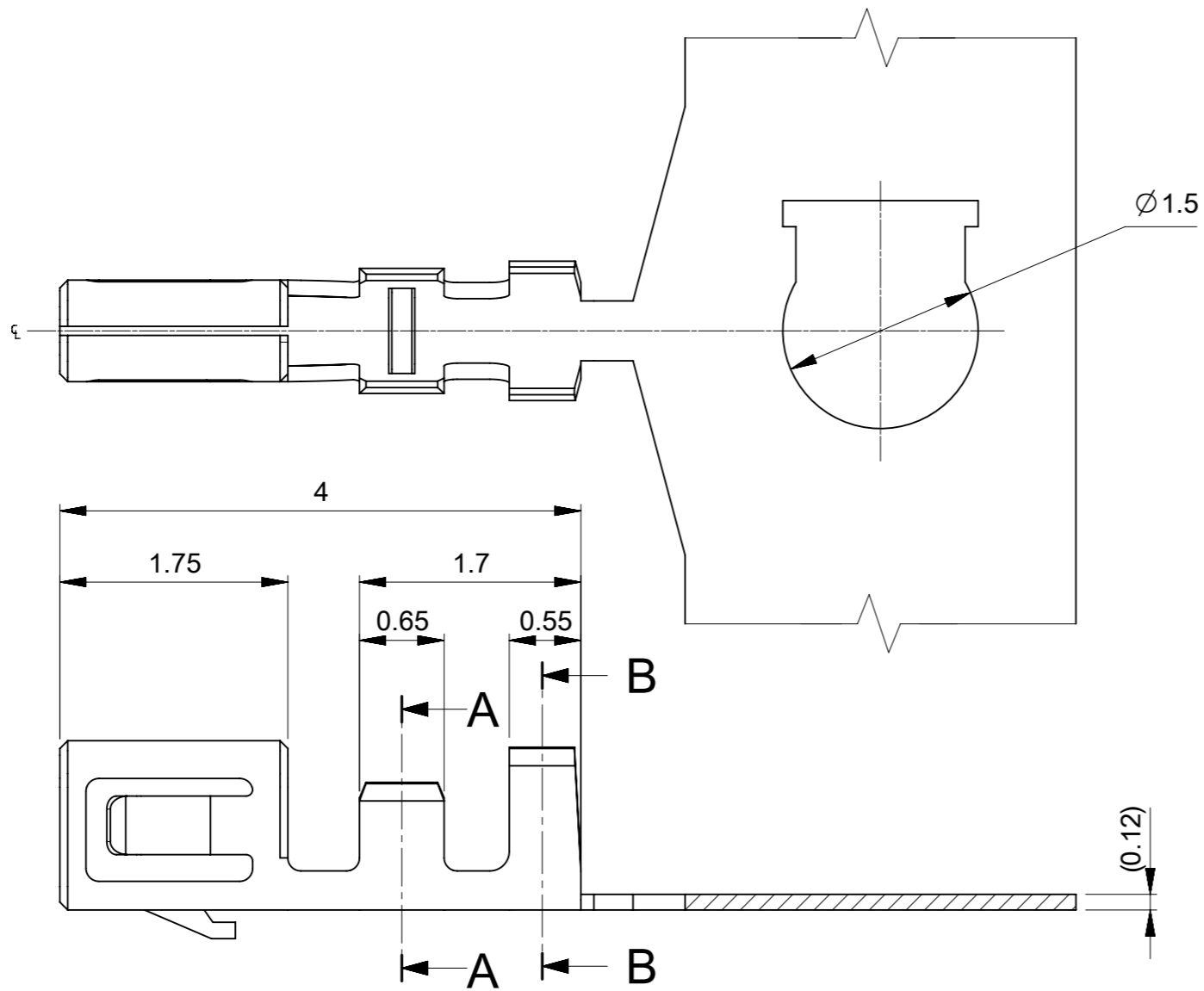


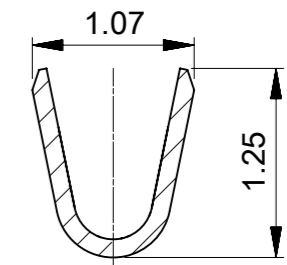


THE DATASHEET OF
5013340000





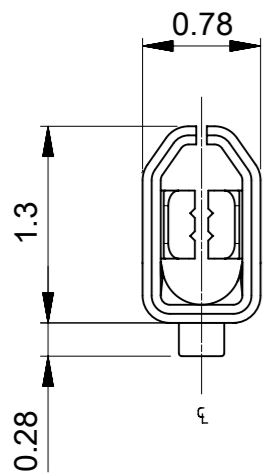
SECTION A-A



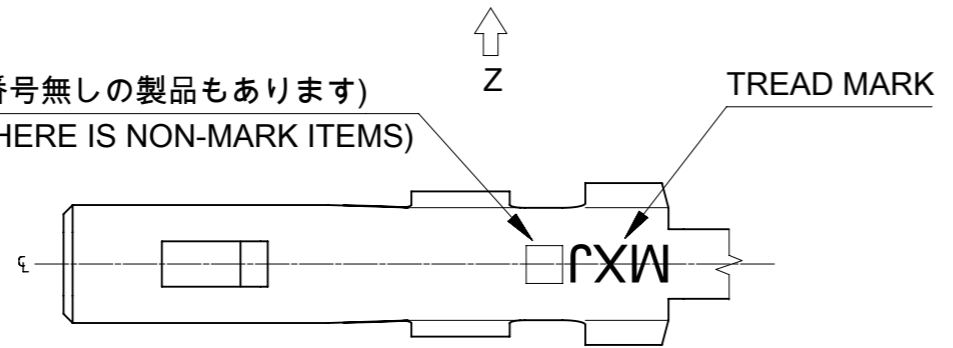
SECTION B-B

NOTES:

- 適合ハウジング: 501330****
APPLICABLE HOUSING 501939****
- めっき仕様: 表題欄参照
PLATING:SEE TABLE
- 圧着条件については、
圧着仕様書(CS-501193-001)を参照願います。
PLEASE REFER TO CRIMP SPECIFICATION (CS-501193-001).
- 製品の取扱いについては、コネクタ取扱い
説明書(5013300000 PS A00,A01)を参照願います。
PLEASE REFER TO INSTRUCTION MANUAL (5013300000 PS A00,A01).



金型番号(番号無しの製品もあります)
DIE NO.(THERE IS NON-MARK ITEMS)



VIEW Z

1.0μm MIN.	5013340100	バラ状 LOOSE
	5013340000	連鎖状 CHAIN
めっき仕様:すずめっき (リフロー処理,前めっき) PLATING:TIN PLATING (REFLOW TREATMENT,PRE-PLATED)	オーダー番号 ODER NO.	端子形状 FORM

MATERIAL りん青銅 すずめっき PHOSPHOR BRONZE t=0.12 TIN PLATING FINISH SEE NOTE WIRE RANGE AWG#28-32 INS. RANGE Ø0.4-0.8	THIS DRAWING CONTAINS INFORMATION THAT IS PROPRIETARY TO MOLEX ELECTRONIC TECHNOLOGIES, LLC AND SHOULD NOT BE USED WITHOUT WRITTEN PERMISSION		molex PICO-CLASP 1.0 W/B CONN CRIMP REC TERM (TIN PLATING) PRODUCT CUSTOMER DRAWING		
	DIMENSION UNITS	SCALE			
	mm	20:1	EC NO: 178320	DRWN: MOYAMA 2018/06/21	5013340000-SD
	GENERAL TOLERANCES (UNLESS SPECIFIED)		DRWN: SAKIYAMA 2018/06/22	APPR: TKANEKO 2018/06/22	DOC TYPE
ANGULAR TOL ± 3.0°		INITIAL REVISION:	DRWN: KYAMADA02 2017/10/05	DOC PART	
4 PLACES ± 0.2		APPR: TKANEKO 2018/06/22	APPR: TKANEKO 2018/06/21	REVISION	
3 PLACES ± 0.2		THIRD ANGLE PROJECTION	DRAWING	SERIES	
2 PLACES ± 0.2		⊕	A3-SIZE	501334	
1 PLACE ± 0.2		MATERIAL NUMBER	CUSTOMER	SHEET NUMBER	
0 PLACES ± 0.2		SEE TABLE	SEE TABLE	1 OF 1	
DRAFT WHERE APPLICABLE MUST REMAIN WITHIN DIMENSIONS					

Looking for pricing, stock, or lifecycle information?

Click below to explore more details on WIN SOURCE:

 [View 5013340000 on WIN SOURCE](#)

 [Molex, LLC Information](#)

Optimize Your Supply Chain with WIN SOURCE Solutions

-  Global Sourcing Solution
-  Obsolete Management
-  Cost Control Management
-  Shortage Management
-  Alternative Solution
-  Excess Inventory Management