

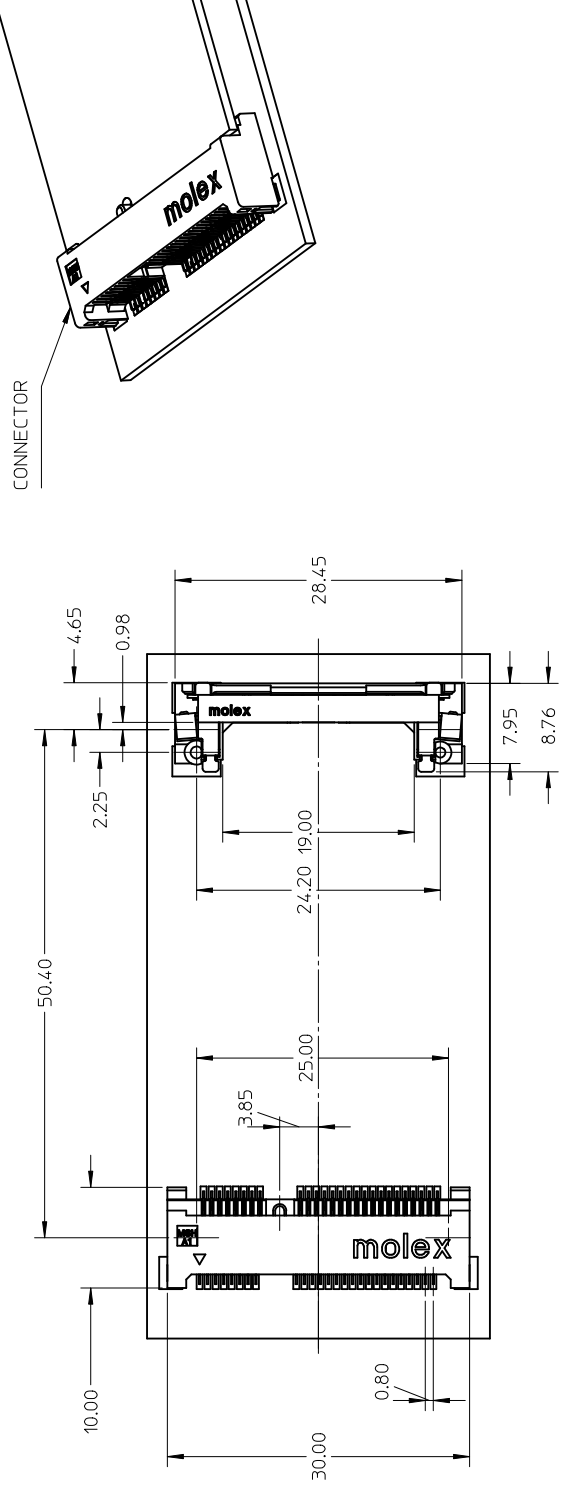


THE DATASHEET OF
0480995701

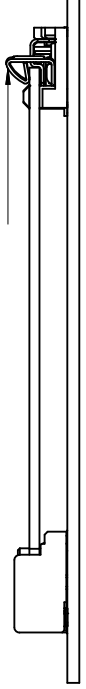


10 9 8 7 6 5 4 3

F



PUSH LATCH TO RELEASE MODULE



B

QUALITY SYMBOLS	DESCRIPTION	REV
▲=0	APPR: NAGESHKN 2010/04/07	
▽=0	CHKD: HARVEY 2005/12/14	
	DRWN: CWANG25 2010/04/05	G
	EC NO: S2010-0835	
	REVISED	

QUALITY SYMBOLS
▲=0
▽=0

GENERAL TOLERANCES (UNLESS SPECIFIED)	INCH
4 PLACES ± ---	± ---
3 PLACES ± ---	± ---
2 PLACES ± 0.25	± ---
1 PLACE ± 0.25	± ---
ANGULAR ± 3 °	

DIMENSION STYLE	MM ONLY
DRAWN BY	DAVID HU 2005/12/14
CHECKED BY	HARVEY 2005/12/14
APPROVED BY	NAGESHKN 2010/04/07
MATERIAL NO.	480995701

SCALE	NT
TITLE	THIS DRAWING CONTAINS INCORPORATED AND SHOULD

td_frame_A3_P_AM_T
Rev. F 2009/06/18

9 8 7 6 5 4 3

A

Looking for pricing, stock, or lifecycle information?

Click below to explore more details on WIN SOURCE:

 [View 0480995701 on WIN SOURCE](#)

 [Molex, LLC Information](#)

Optimize Your Supply Chain with WIN SOURCE Solutions

-  Global Sourcing Solution
-  Obsolete Management
-  Cost Control Management
-  Shortage Management
-  Alternative Solution
-  Excess Inventory Management