



THE DATASHEET OF ESP32-WROOM-32U-N4



ESP32-WROOM-32D & ESP32-WROOM-32U

Datasheet

NOT RECOMMENDED
FOR NEW DESIGNS
(NRND)



Version 2.4
Espressif Systems
Copyright © 2023

About This Document

This document provides the specifications for the ESP32-WROOM-32D and ESP32-WROOM-32U modules.

Document Updates

Please always refer to the latest version on <https://www.espressif.com/en/support/download/documents>.

Revision History

For revision history of this document, please refer to the [last page](#).

Documentation Change Notification

Espressif provides email notifications to keep customers updated on changes to technical documentation.

Please subscribe at www.espressif.com/en/subscribe. Note that you need to update your subscription to receive notifications of new products you are not currently subscribed to.

Certification

Download certificates for Espressif products from www.espressif.com/en/certificates.

Contents

1	Overview	6
2	Pin Definitions	8
2.1	Pin Layout	8
2.2	Pin Description	8
2.3	Strapping Pins	10
3	Functional Description	12
3.1	CPU and Internal Memory	12
3.2	External Flash and SRAM	12
3.3	Crystal Oscillators	12
3.4	RTC and Low-Power Management	13
4	Peripherals and Sensors	14
5	Electrical Characteristics	15
5.1	Absolute Maximum Ratings	15
5.2	Recommended Operating Conditions	15
5.3	DC Characteristics (3.3 V, 25 °C)	15
5.4	Wi-Fi Radio	16
5.5	Bluetooth LE Radio	17
5.5.1	Receiver	17
5.5.2	Transmitter	17
6	Schematics	18
7	Peripheral Schematics	20
8	Physical Dimensions	22
9	Recommended PCB Land Pattern	24
10	Dimensions of External Antenna Connector	26
11	Product Handling	27
11.1	Storage Conditions	27
11.2	Electrostatic Discharge (ESD)	27
11.3	Reflow Profile	27
11.4	Ultrasonic Vibration	28
12	Related Documentation and Resources	29
	Revision History	30

List of Tables

1	ESP32-WROOM-32D vs. ESP32-WROOM-32U	6
2	ESP32-WROOM-32D and ESP32-WROOM-32U Specifications	7
3	Pin Definitions	8
4	Strapping Pins	10
5	Parameter Descriptions of Setup and Hold Times for the Strapping Pins	11
6	Absolute Maximum Ratings	15
7	Recommended Operating Conditions	15
8	DC Characteristics (3.3 V, 25 °C)	15
9	Wi-Fi Radio Characteristics	16
10	Receiver Characteristics – Bluetooth LE	17
11	Transmitter Characteristics – Bluetooth LE	17

List of Figures

1	ESP32-WROOM-32D Pin Layout (Top View)	8
2	Setup and Hold Times for the Strapping Pins	11
3	ESP32-WROOM-32D Schematics	18
4	ESP32-WROOM-32U Schematics	19
5	ESP32-WROOM-32D & ESP32-WROOM-32U Peripheral Schematics	20
6	Physical Dimensions of ESP32-WROOM-32D	22
7	Physical Dimensions of ESP32-WROOM-32U	23
8	Recommended PCB Land Pattern of ESP32-WROOM-32D	24
9	Recommended PCB Land Pattern of ESP32-WROOM-32U	25
10	Dimensions of External Antenna Connector of ESP32-WROOM-32U	26
11	Reflow Profile	27

1 Overview

ESP32-WROOM-32D and ESP32-WROOM-32U are powerful, generic Wi-Fi + Bluetooth® + Bluetooth LE MCU modules that target a wide variety of applications, ranging from low-power sensor networks to the most demanding tasks, such as voice encoding, music streaming and MP3 decoding.

ESP32-WROOM-32U is different from ESP32-WROOM-32D in that ESP32-WROOM-32U integrates a connector to connect an external antenna. For detailed information of the connector please see Chapter 10. Note that the information in this data sheet is applicable to both modules. Any differences between them will be clearly specified in the course of this document. Table 1 lists the difference between ESP32-WROOM-32D and ESP32-WROOM-32U.

Table 1: ESP32-WROOM-32D vs. ESP32-WROOM-32U

Module	ESP32-WROOM-32D	ESP32-WROOM-32U
Core	ESP32-D0WD	ESP32-D0WD
SPI flash	32 Mbits, 3.3 V	32 Mbits, 3.3 V
Crystal	40 MHz	40 MHz
Antenna	on-board PCB antenna	external antenna connector (which needs to be connected to an external antenna)
Dimensions (Unit: mm)	18 × 25.5 × 3.1 (See Figure 6 for details)	18 × 19.2 × 3.2 (See Figure 7 for details)
Schematics	See Figure 3 for details.	See Figure 4 for details.

At the core of the two modules is the ESP32-D0WD chip that belongs to the ESP32 series* of chips. The chip embedded is designed to be scalable and adaptive. There are two CPU cores that can be individually controlled, and the CPU clock frequency is adjustable from 80 MHz to 240 MHz. The chip also has a low-power coprocessor that can be used instead of the CPU to save power while performing tasks that do not require much computing power, such as monitoring of peripherals. ESP32 integrates a rich set of peripherals, ranging from capacitive touch sensors, SD card interface, Ethernet, high-speed SPI, UART, I2S and I2C.

Note:

* For details on the part numbers of the ESP32 family of chips, please refer to the document [ESP32 Datasheet](#).

The integration of Bluetooth®, Bluetooth LE and Wi-Fi ensures that a wide range of applications can be targeted, and that the module is all-around: using Wi-Fi allows a large physical range and direct connection to the Internet through a Wi-Fi router, while using Bluetooth allows the user to conveniently connect to the phone or broadcast low energy beacons for its detection. The sleep current of the ESP32 chip is less than 5 μ A, making it suitable for battery powered and wearable electronics applications. The module supports a data rate of up to 150 Mbps, and 20 dBm output power at the antenna to ensure the widest physical range. As such the module does offer industry-leading specifications and the best performance for electronic integration, range, power consumption, and connectivity.

The operating system chosen for ESP32 is freeRTOS with LwIP; TLS 1.2 with hardware acceleration is built in as well. Secure (encrypted) over the air (OTA) upgrade is also supported, so that users can upgrade their products even after their release, at minimum cost and effort.

Table 2 provides the specifications of ESP32-WROOM-32D and ESP32-WROOM-32U.

[Not Recommended For New Designs \(NRND\)](#)

Table 2: ESP32-WROOM-32D and ESP32-WROOM-32U Specifications

Categories	Items	Specifications
Certification	RF Certification	See certificates for ESP32-WROOM-32D and ESP32-WROOM-32U
	Wi-Fi Certification	Wi-Fi Alliance
	Bluetooth certification	BQB
	Green Certification	REACH/RoHS
Test	Reliability	HTOL/HTSL/uHAST/TCT/ESD
Wi-Fi	Protocols	802.11 b/g/n (802.11n up to 150 Mbps)
		A-MPDU and A-MSDU aggregation and 0.4 μ s guard interval support
	Center frequency range of operating channel	2412 ~ 2484 MHz
Bluetooth	Protocols	Bluetooth v4.2 BR/EDR and Bluetooth LE specification
	Radio	NZIF receiver with -97 dBm sensitivity
		Class-1, class-2 and class-3 transmitter
		AFH
	Audio	CVSD and SBC
Hardware	Module interfaces	SD card, UART, SPI, SDIO, I2C, LED PWM, Motor PWM, I2S, IR, pulse counter, GPIO, capacitive touch sensor, ADC, DAC, Two-Wire Automotive Interface (TWAI [®]), compatible with ISO11898-1 (CAN Specification 2.0)
	Integrated crystal	40 MHz crystal
	Integrated SPI flash ¹	4 MB
	Operating voltage/Power supply	3.0 V ~ 3.6 V
	Operating current	Average: 80 mA
	Minimum current delivered by power supply	500 mA
	Recommended operating ambient temperature range ²	-40 °C ~ +85 °C
	Moisture sensitivity level (MSL)	Level 3

Notice:

1. ESP32-WROOM-32D and ESP32-WROOM-32U with 8 MB flash or 16 MB flash are available for custom order.
2. ESP32-WROOM-32D and ESP32-WROOM-32U with high temperature range (-40 °C ~ +105 °C) option are available for custom order. 4 MB SPI flash is supported on the high temperature range version.
3. For detailed ordering information, please see [ESP Product Selector](#).

2 Pin Definitions

2.1 Pin Layout

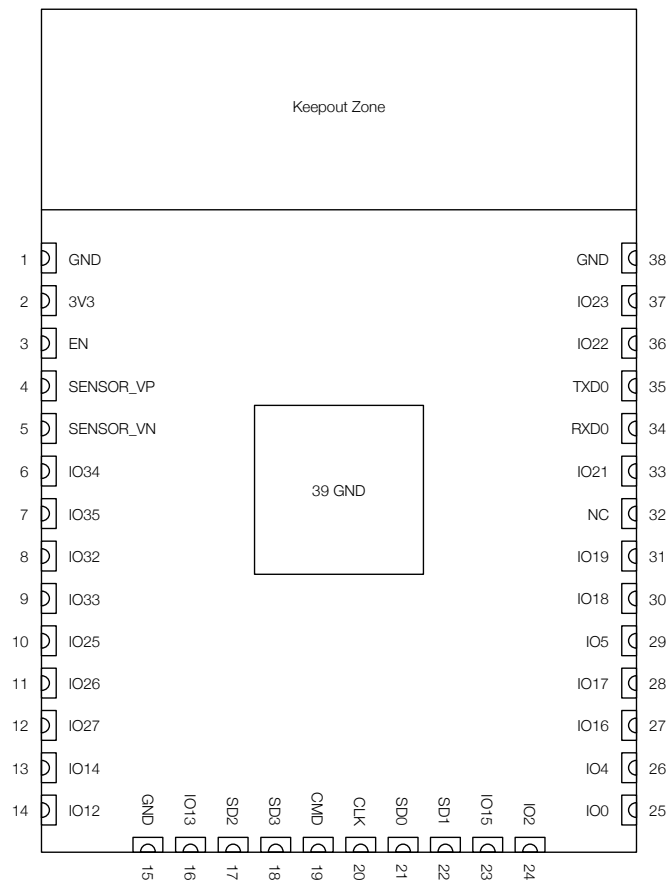


Figure 1: ESP32-WROOM-32D Pin Layout (Top View)

Note:

The pin layout of ESP32-WROOM-32U is the same as that of ESP32-WROOM-32D, except that ESP32-WROOM-32U has no keepout zone.

2.2 Pin Description

The ESP32-WROOM-32D and ESP32-WROOM-32U have 38 pins. See pin definitions in Table 3.

Table 3: Pin Definitions

Name	No.	Type	Function
GND	1	P	Ground
3V3	2	P	Power supply
EN	3	I	Module-enable signal. Active high.
SENSOR_VP	4	I	GPIO36, ADC1_CH0, RTC_GPIO0
SENSOR_VN	5	I	GPIO39, ADC1_CH3, RTC_GPIO3
IO34	6	I	GPIO34, ADC1_CH6, RTC_GPIO4
IO35	7	I	GPIO35, ADC1_CH7, RTC_GPIO5

Name	No.	Type	Function
IO32	8	I/O	GPIO32, XTAL_32K_P (32.768 kHz crystal oscillator input), ADC1_CH4, TOUCH9, RTC_GPIO9
IO33	9	I/O	GPIO33, XTAL_32K_N (32.768 kHz crystal oscillator output), ADC1_CH5, TOUCH8, RTC_GPIO8
IO25	10	I/O	GPIO25, DAC_1, ADC2_CH8, RTC_GPIO6, EMAC_RXD0
IO26	11	I/O	GPIO26, DAC_2, ADC2_CH9, RTC_GPIO7, EMAC_RXD1
IO27	12	I/O	GPIO27, ADC2_CH7, TOUCH7, RTC_GPIO17, EMAC_RX_DV
IO14	13	I/O	GPIO14, ADC2_CH6, TOUCH6, RTC_GPIO16, MTMS, HSPICLK, HS2_CLK, SD_CLK, EMAC_TXD2
IO12	14	I/O	GPIO12, ADC2_CH5, TOUCH5, RTC_GPIO15, MTDI, HSPIQ, HS2_DATA2, SD_DATA2, EMAC_TXD3
GND	15	P	Ground
IO13	16	I/O	GPIO13, ADC2_CH4, TOUCH4, RTC_GPIO14, MTCK, HSPID, HS2_DATA3, SD_DATA3, EMAC_RX_ER
SHD/SD2*	17	I/O	GPIO9, SD_DATA2, SPIHD, HS1_DATA2, U1RXD
SWP/SD3*	18	I/O	GPIO10, SD_DATA3, SPIWP, HS1_DATA3, U1TXD
SCS/CMD*	19	I/O	GPIO11, SD_CMD, SPICS0, HS1_CMD, U1RTS
SCK/CLK*	20	I/O	GPIO6, SD_CLK, SPICLK, HS1_CLK, U1CTS
SDO/SD0*	21	I/O	GPIO7, SD_DATA0, SPIQ, HS1_DATA0, U2RTS
SDI/SD1*	22	I/O	GPIO8, SD_DATA1, SPID, HS1_DATA1, U2CTS
IO15	23	I/O	GPIO15, ADC2_CH3, TOUCH3, MTDO, HSPICS0, RTC_GPIO13, HS2_CMD, SD_CMD, EMAC_RXD3
IO2	24	I/O	GPIO2, ADC2_CH2, TOUCH2, RTC_GPIO12, HSPIWP, HS2_DATA0, SD_DATA0
IO0	25	I/O	GPIO0, ADC2_CH1, TOUCH1, RTC_GPIO11, CLK_OUT1, EMAC_TX_CLK
IO4	26	I/O	GPIO4, ADC2_CH0, TOUCH0, RTC_GPIO10, HSPICLK, HS2_DATA1, SD_DATA1, EMAC_TX_ER
IO16	27	I/O	GPIO16, HS1_DATA4, U2RXD, EMAC_CLK_OUT
IO17	28	I/O	GPIO17, HS1_DATA5, U2TXD, EMAC_CLK_OUT_180
IO5	29	I/O	GPIO5, VSPICS0, HS1_DATA6, EMAC_RX_CLK
IO18	30	I/O	GPIO18, VSPICLK, HS1_DATA7
IO19	31	I/O	GPIO19, VSPIQ, U0CTS, EMAC_TXD0
NC	32	-	-
IO21	33	I/O	GPIO21, VSPIHD, EMAC_TX_EN
RXD0	34	I/O	GPIO3, U0RXD, CLK_OUT2
TXD0	35	I/O	GPIO1, U0TXD, CLK_OUT3, EMAC_RXD2
IO22	36	I/O	GPIO22, VSPIWP, U0RTS, EMAC_TXD1
IO23	37	I/O	GPIO23, VSPID, HS1_STROBE
GND	38	P	Ground

Notice:

* Pins SCK/CLK, SDO/SD0, SDI/SD1, SHD/SD2, SWP/SD3 and SCS/CMD, namely, GPIO6 to GPIO11 are connected to the integrated SPI flash integrated on the module and are not recommended for other uses.

Not Recommended For New Designs (NRND)

2.3 Strapping Pins

ESP32 has five strapping pins, which can be seen in Chapter 6 Schematics:

- MTDI
- GPIO0
- GPIO2
- MTDO
- GPIO5

Software can read the values of these five bits from register “GPIO_STRAPPING”.

During the chip’s system reset release (power-on-reset, RTC watchdog reset and brownout reset), the latches of the strapping pins sample the voltage level as strapping bits of “0” or “1”, and hold these bits until the chip is powered down or shut down. The strapping bits configure the device’s boot mode, the operating voltage of VDD_SDIO and other initial system settings.

Each strapping pin is connected to its internal pull-up/pull-down during the chip reset. Consequently, if a strapping pin is unconnected or the connected external circuit is high-impedance, the internal weak pull-up/pull-down will determine the default input level of the strapping pins.

To change the strapping bit values, users can apply the external pull-down/pull-up resistances, or use the host MCU’s GPIOs to control the voltage level of these pins when powering on ESP32.

After reset release, the strapping pins work as normal-function pins.

Refer to Table 4 for a detailed boot-mode configuration by strapping pins.

Table 4: Strapping Pins

Voltage of Internal LDO (VDD_SDIO)					
Pin	Default	3.3 V		1.8 V	
MTDI	Pull-down	0		1	
Bootling Mode					
Pin	Default	SPI Boot		Download Boot	
GPIO0	Pull-up	1		0	
GPIO2	Pull-down	Don’t-care		0	
Enabling/Disabling Debugging Log Print over U0TXD During Bootling					
Pin	Default	U0TXD Active		U0TXD Silent	
MTDO	Pull-up	1		0	
Timing of SDIO Slave					
Pin	Default	FE Sampling FE Output	FE Sampling RE Output	RE Sampling FE Output	RE Sampling RE Output
MTDO	Pull-up	0	0	1	1
GPIO5	Pull-up	0	1	0	1

Note:

- Firmware can configure register bits to change the settings of "Voltage of Internal LDO (VDD_SDIO)" and "Timing of SDIO Slave" after booting.
- Both ESP32-WROOM-32D and ESP32-WROOM-32U integrate a 3.3 V SPI flash, so the pin MTDI cannot be set to 1 when the modules are powered up.

The illustration below shows the setup and hold times for the strapping pins before and after the CHIP_PU signal goes high. Details about the parameters are listed in Table 5.

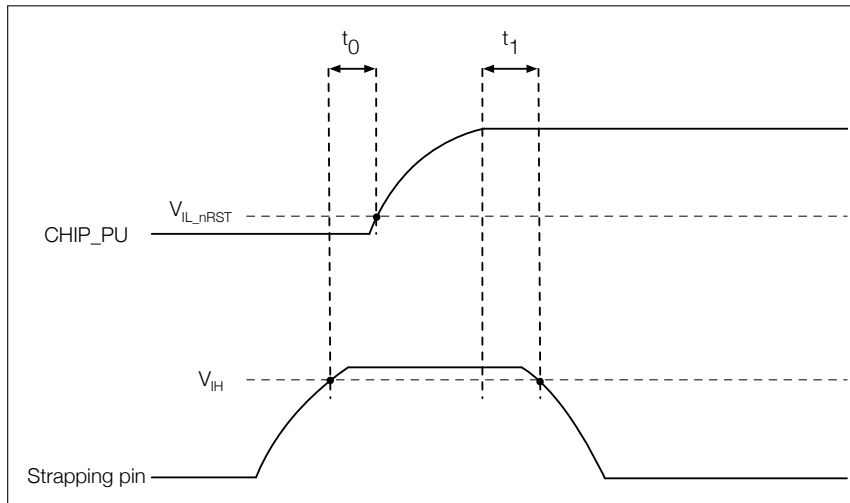


Figure 2: Setup and Hold Times for the Strapping Pins

Table 5: Parameter Descriptions of Setup and Hold Times for the Strapping Pins

Parameters	Description	Min.	Unit
t_0	Setup time before CHIP_PU goes from low to high	0	ms
t_1	Hold time after CHIP_PU goes high	1	ms

3 Functional Description

This chapter describes the modules and functions integrated in ESP32-WROOM-32D and ESP32-WROOM-32U.

3.1 CPU and Internal Memory

ESP32-D0WD contains a dual-core Xtensa® 32-bit LX6 MCU. The internal memory includes:

- 448 KB of ROM for booting and core functions.
- 520 KB of on-chip SRAM for data and instructions.
- 8 KB of SRAM in RTC, which is called RTC FAST Memory and can be used for data storage; it is accessed by the main CPU during RTC Boot from the Deep-sleep mode.
- 8 KB of SRAM in RTC, which is called RTC SLOW Memory and can be accessed by the co-processor during the Deep-sleep mode.
- 1 Kbit of eFuse: 256 bits are used for the system (MAC address and chip configuration) and the remaining 768 bits are reserved for customer applications, including flash-encryption and chip-ID.

3.2 External Flash and SRAM

ESP32 supports multiple external QSPI flash and SRAM chips. More details can be found in Chapter SPI in the [ESP32 Technical Reference Manual](#). ESP32 also supports hardware encryption/decryption based on AES to protect developers' programs and data in flash.

ESP32 can access the external QSPI flash and SRAM through high-speed caches.

- The external flash can be mapped into CPU instruction memory space and read-only memory space simultaneously.
 - When external flash is mapped into CPU instruction memory space, up to 11 MB + 248 KB can be mapped at a time. Note that if more than 3 MB + 248 KB are mapped, cache performance will be reduced due to speculative reads by the CPU.
 - When external flash is mapped into read-only data memory space, up to 4 MB can be mapped at a time. 8-bit, 16-bit and 32-bit reads are supported.
- External SRAM can be mapped into CPU data memory space. Up to 4 MB can be mapped at a time. 8-bit, 16-bit and 32-bit reads and writes are supported.

Both ESP32-WROOM-32D and ESP32-WROOM-32U integrate a 4 MB of external SPI flash. The integrated SPI flash is connected to GPIO6, GPIO7, GPIO8, GPIO9, GPIO10 and GPIO11. These six pins cannot be used as regular GPIOs.

3.3 Crystal Oscillators

The module uses a 40-MHz crystal oscillator.

3.4 RTC and Low-Power Management

With the use of advanced power-management technologies, ESP32 can switch between different power modes.

For details on ESP32's power consumption in different power modes, please refer to section "RTC and Low-Power Management" in [ESP32 Datasheet](#).

4 Peripherals and Sensors

Please refer to Section Peripherals and Sensors in [ESP32 Datasheet](#).

Note:

External connections can be made to any GPIO except for GPIOs in the range 6-11. These six GPIOs are connected to the module's integrated SPI flash. For details, please see Section 6 Schematics.

5 Electrical Characteristics

5.1 Absolute Maximum Ratings

Stresses beyond the absolute maximum ratings listed in Table 6 below may cause permanent damage to the device. These are stress ratings only, and do not refer to the functional operation of the device that should follow the [recommended operating conditions](#).

Table 6: Absolute Maximum Ratings

Symbol	Parameter	Min	Max	Unit
VDD33	Power supply voltage	-0.3	3.6	V
I_{output}^1	Cumulative IO output current	-	1,100	mA
T_{store}	Storage temperature	-40	105	°C

1. The module worked properly after a 24-hour test in ambient temperature at 25 °C, and the IOs in three domains (VDD3P3_RTC, VDD3P3_CPU, VDD_SDIO) output high logic level to ground. Please note that pins occupied by flash and/or PSRAM in the VDD_SDIO power domain were excluded from the test.
2. Please see Appendix IO_MUX of [ESP32 Datasheet](#) for IO's power domain.

5.2 Recommended Operating Conditions

Table 7: Recommended Operating Conditions

Symbol	Parameter	Min	Typical	Max	Unit
VDD33	Power supply voltage	3.0	3.3	3.6	V
I_{VDD}	Current delivered by external power supply	0.5	-	-	A
T	Operating ambient temperature	-40	-	85	°C

5.3 DC Characteristics (3.3 V, 25 °C)

Table 8: DC Characteristics (3.3 V, 25 °C)

Symbol	Parameter		Min	Typ	Max	Unit
C_{IN}	Pin capacitance		-	2	-	pF
V_{IH}	High-level input voltage		$0.75 \times VDD^1$	-	$VDD^1 + 0.3$	V
V_{IL}	Low-level input voltage		-0.3	-	$0.25 \times VDD^1$	V
I_{IH}	High-level input current		-	-	50	nA
I_{IL}	Low-level input current		-	-	50	nA
V_{OH}	High-level output voltage		$0.8 \times VDD^1$	-	-	V
V_{OL}	Low-level output voltage		-	-	$0.1 \times VDD^1$	V
I_{OH}	High-level source current ($VDD^1 = 3.3$ V, $V_{OH} \geq 2.64$ V, output drive strength set to the maximum)	VDD3P3_CPU power domain ^{1, 2}	-	40	-	mA
		VDD3P3_RTC power domain ^{1, 2}	-	40	-	mA
		VDD_SDIO power domain ^{1, 3}	-	20	-	mA

[Not Recommended For New Designs \(NRND\)](#)

Symbol	Parameter	Min	Typ	Max	Unit
I_{OL}	Low-level sink current ($V_{DD}^1 = 3.3\text{ V}$, $V_{OL} = 0.495\text{ V}$, output drive strength set to the maximum)	-	28	-	mA
R_{PU}	Resistance of internal pull-up resistor	-	45	-	$k\Omega$
R_{PD}	Resistance of internal pull-down resistor	-	45	-	$k\Omega$
V_{IL_nRST}	Low-level input voltage of CHIP_PU to shut down the chip	-	-	0.6	V

Notes:

1. Please see Appendix IO_MUX of [ESP32 Datasheet](#) for IO's power domain. VDD is the I/O voltage for a particular power domain of pins.
2. For VDD3P3_CPU and VDD3P3_RTC power domain, per-pin current sourced in the same domain is gradually reduced from around 40 mA to around 29 mA, $V_{OH} \geq 2.64\text{ V}$, as the number of current-source pins increases.
3. Pins occupied by flash and/or PSRAM in the VDD_SDIO power domain were excluded from the test.

5.4 Wi-Fi Radio

Table 9: Wi-Fi Radio Characteristics

Parameter	Condition	Min	Typical	Max	Unit
Center frequency range of operating channel <i>note1</i>	-	2412	-	2484	MHz
Output impedance <i>note2</i>	-	-	<i>note 2</i>	-	Ω
TX power <i>note3</i>	11n, MCS7	12	13	14	dBm
	11b mode	17.5	18.5	20	dBm
Sensitivity	11b, 1 Mbps	-	-98	-	dBm
	11b, 11 Mbps	-	-89	-	dBm
	11g, 6 Mbps	-	-92	-	dBm
	11g, 54 Mbps	-	-74	-	dBm
	11n, HT20, MCS0	-	-91	-	dBm
	11n, HT20, MCS7	-	-71	-	dBm
	11n, HT40, MCS0	-	-89	-	dBm
	11n, HT40, MCS7	-	-69	-	dBm
Adjacent channel rejection	11g, 6 Mbps	-	31	-	dB
	11g, 54 Mbps	-	14	-	dB
	11n, HT20, MCS0	-	31	-	dB
	11n, HT20, MCS7	-	13	-	dB

1. Device should operate in the center frequency range of operating channel allocated by regional regulatory authorities. Target center frequency range of operating channel is configurable by software.
2. For the modules that use external antennas, the output impedance is 50 Ω . For other modules without external antennas, users do not need to concern about the output impedance.
3. Target TX power is configurable based on device or certification requirements.

5.5 Bluetooth LE Radio

5.5.1 Receiver

Table 10: Receiver Characteristics – Bluetooth LE

Parameter	Conditions	Min	Typ	Max	Unit
Sensitivity @30.8% PER	-	-	-97	-	dBm
Maximum received signal @30.8% PER	-	0	-	-	dBm
Co-channel C/I	-	-	+10	-	dB
Adjacent channel selectivity C/I	F = F0 + 1 MHz	-	-5	-	dB
	F = F0 - 1 MHz	-	-5	-	dB
	F = F0 + 2 MHz	-	-25	-	dB
	F = F0 - 2 MHz	-	-35	-	dB
	F = F0 + 3 MHz	-	-25	-	dB
	F = F0 - 3 MHz	-	-45	-	dB
Out-of-band blocking performance	30 MHz ~ 2000 MHz	-10	-	-	dBm
	2000 MHz ~ 2400 MHz	-27	-	-	dBm
	2500 MHz ~ 3000 MHz	-27	-	-	dBm
	3000 MHz ~ 12.5 GHz	-10	-	-	dBm
Intermodulation	-	-36	-	-	dBm

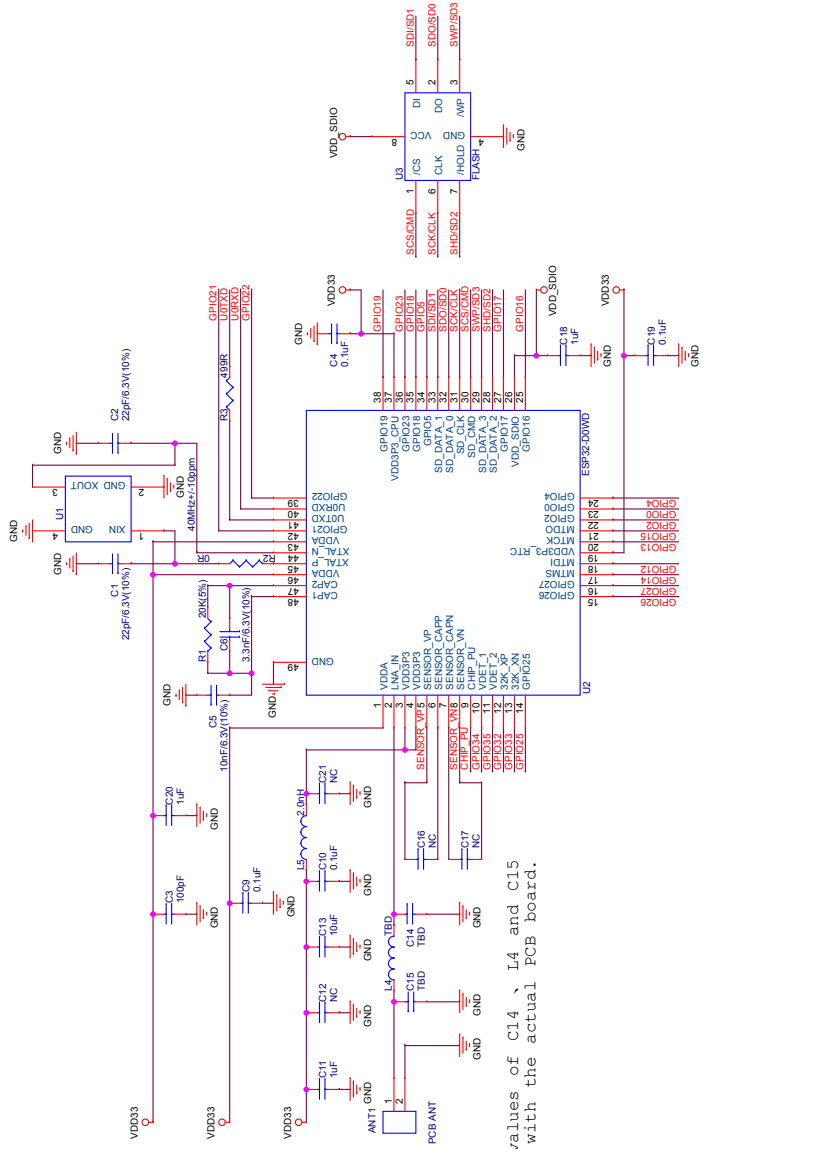
5.5.2 Transmitter

Table 11: Transmitter Characteristics – Bluetooth LE

Parameter	Conditions	Min	Typ	Max	Unit
RF transmit power	-	-	0	-	dBm
Gain control step	-	-	3	-	dBm
RF power control range	-	-12	-	+9	dBm
Adjacent channel transmit power	F = F0 ± 2 MHz	-	-52	-	dBm
	F = F0 ± 3 MHz	-	-58	-	dBm
	F = F0 ± > 3 MHz	-	-60	-	dBm
Δf_{1avg}	-	-	-	265	kHz
Δf_{2max}	-	247	-	-	kHz
$\Delta f_{2avg}/\Delta f_{1avg}$	-	-	-0.92	-	-
ICFT	-	-	-10	-	kHz
Drift rate	-	-	0.7	-	kHz/50 μ s
Drift	-	-	2	-	kHz

6 Schematics

The values of C1 and C2 vary with the selection of the crystal.



The values of C14、L4 and C15 vary with the actual PCB board.

Figure 3: ESP32-WROOM-32D Schematics

Note:

- Soldering Pad 39 to the Ground is not necessary for a satisfactory thermal performance. If users do want to solder it, they need paste is applied.
- To ensure the power supply to the ESP32 chip during power-up, it is advised to add an RC delay circuit at the EN pin. The usually $R = 10\text{ k}\Omega$ and $C = 1\ \mu\text{F}$. However, specific parameters should be adjusted based on the power-up timing of the module of the chip. For ESP32's power-up and reset sequence timing diagram, please refer to Section *Power Scheme* in [ESP32 Datasheet](#)

Not Recommended For New Designs (NRND)

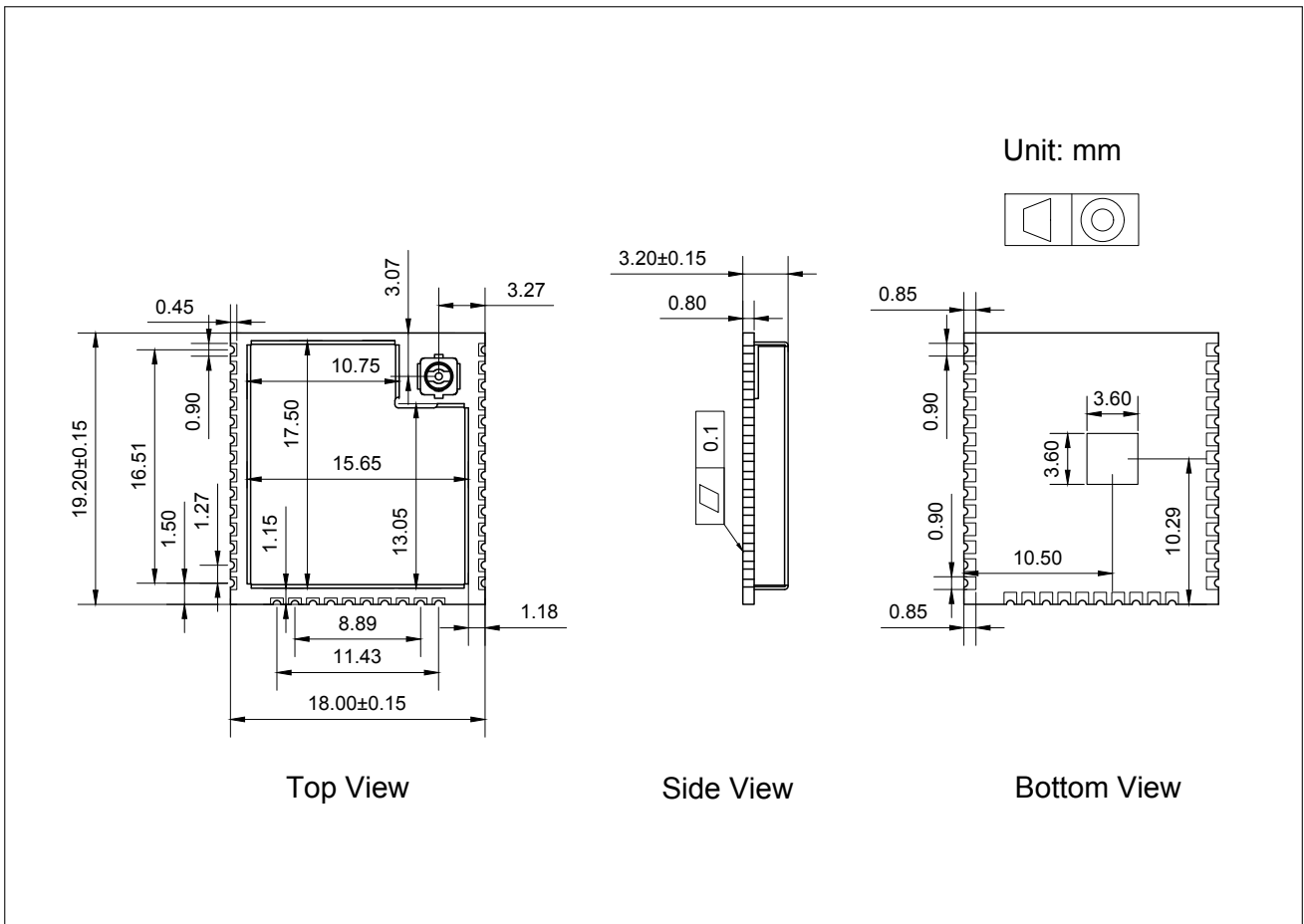


Figure 7: Physical Dimensions of ESP32-WROOM-32U

Note:

For information about tape, reel, and product marking, please refer to [Espressif Module Package Information](#).

9 Recommended PCB Land Pattern

This section provides the following resources for your reference:

- Figures for recommended PCB land patterns with all the dimensions needed for PCB design. See Figure 8 *Recommended PCB Land Pattern of ESP32-WROOM-32D* and Figure 9 *Recommended PCB Land Pattern of ESP32-WROOM-32U*.
- Source files of recommended PCB land patterns to measure dimensions not covered in Figure 8 and Figure 9. You can view the source files for [ESP32-WROOM-32D](#) and [ESP32-WROOM-32U](#) with [Autodesk Viewer](#).
- 3D models of [ESP32-WROOM-32D](#). Please make sure that you download the 3D model file in .STEP format (beware that some browsers might add .txt).

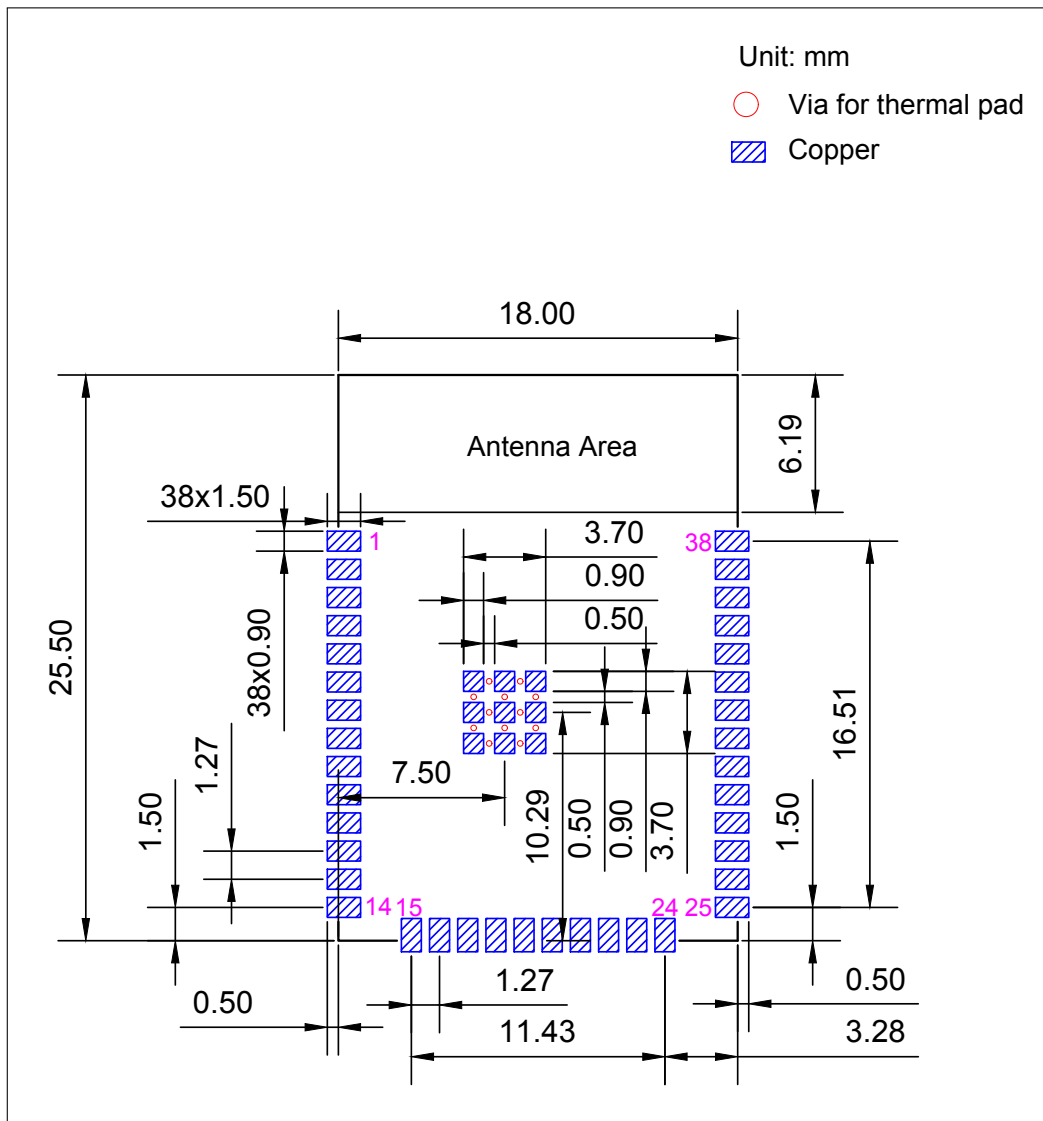


Figure 8: Recommended PCB Land Pattern of ESP32-WROOM-32D

[Not Recommended For New Designs \(NRND\)](#)

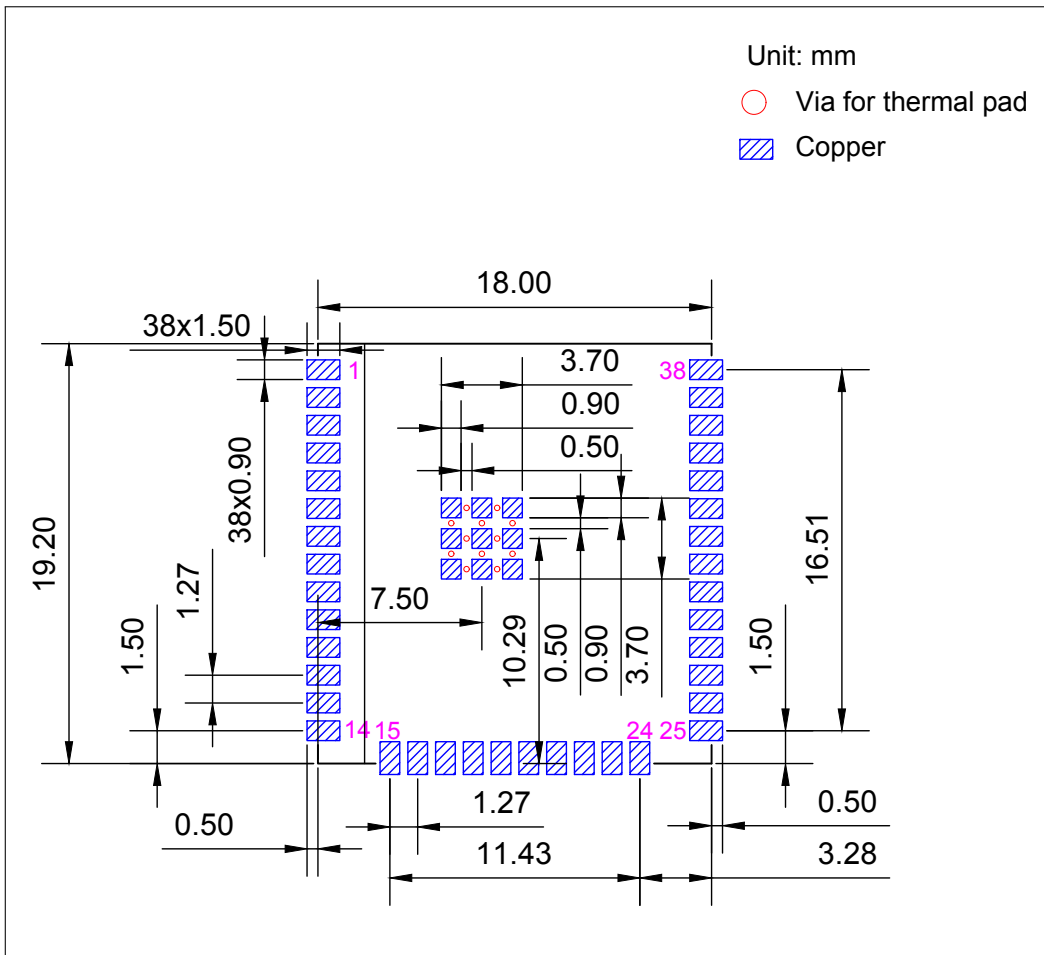


Figure 9: Recommended PCB Land Pattern of ESP32-WROOM-32U

10 Dimensions of External Antenna Connector

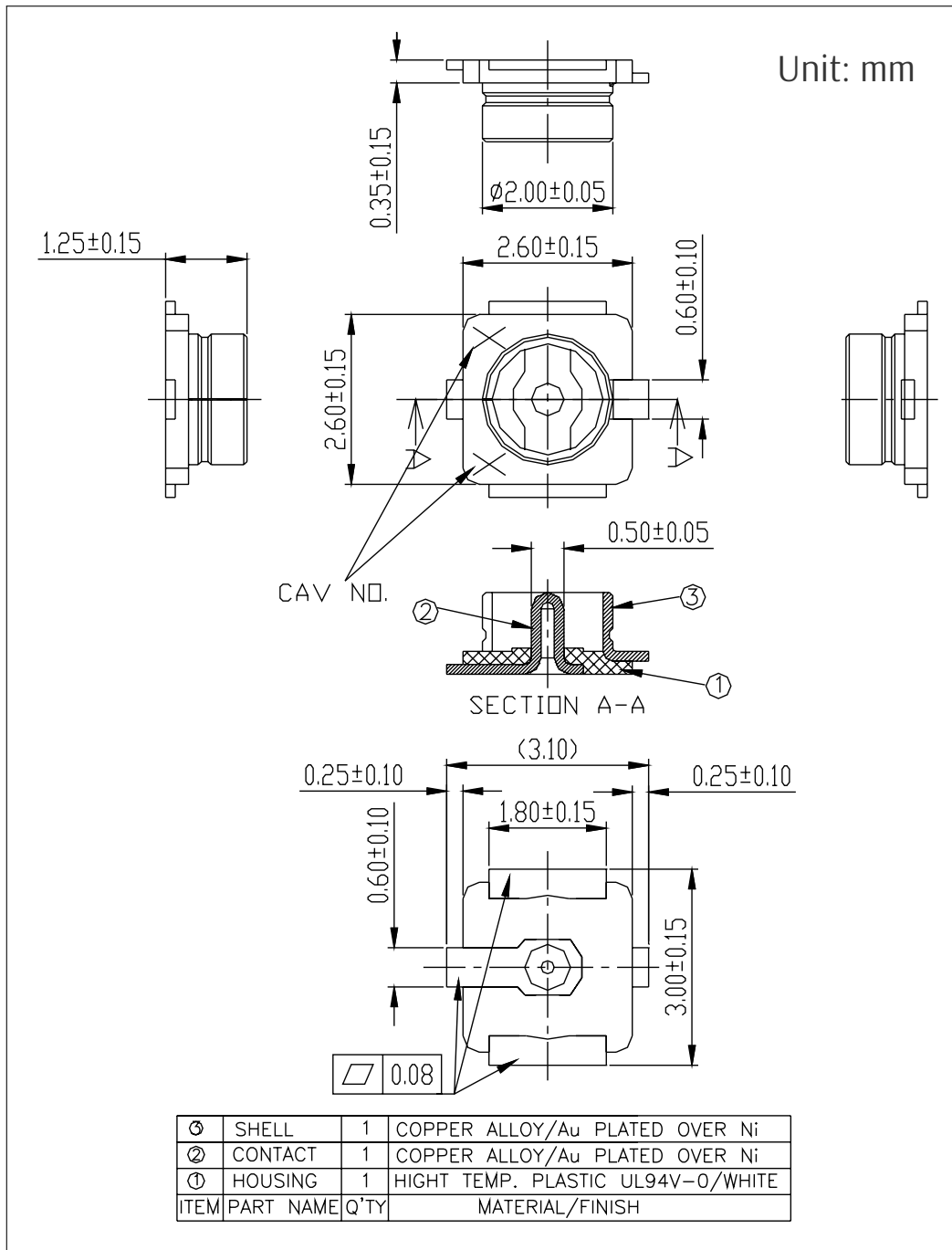


Figure 10: Dimensions of External Antenna Connector of ESP32-WROOM-32U

11 Product Handling

11.1 Storage Conditions

The products sealed in moisture barrier bags (MBB) should be stored in a non-condensing atmospheric environment of $< 40\text{ }^{\circ}\text{C}$ and 90%RH. The module is rated at the moisture sensitivity level (MSL) of 3.

After unpacking, the module must be soldered within 168 hours with the factory conditions $25 \pm 5\text{ }^{\circ}\text{C}$ and 60 %RH. If the above conditions are not met, the module needs to be baked.

11.2 Electrostatic Discharge (ESD)

- Human body model (HBM): $\pm 2000\text{ V}$
- Charged-device model (CDM): $\pm 500\text{ V}$

11.3 Reflow Profile

Solder the module in a single reflow.

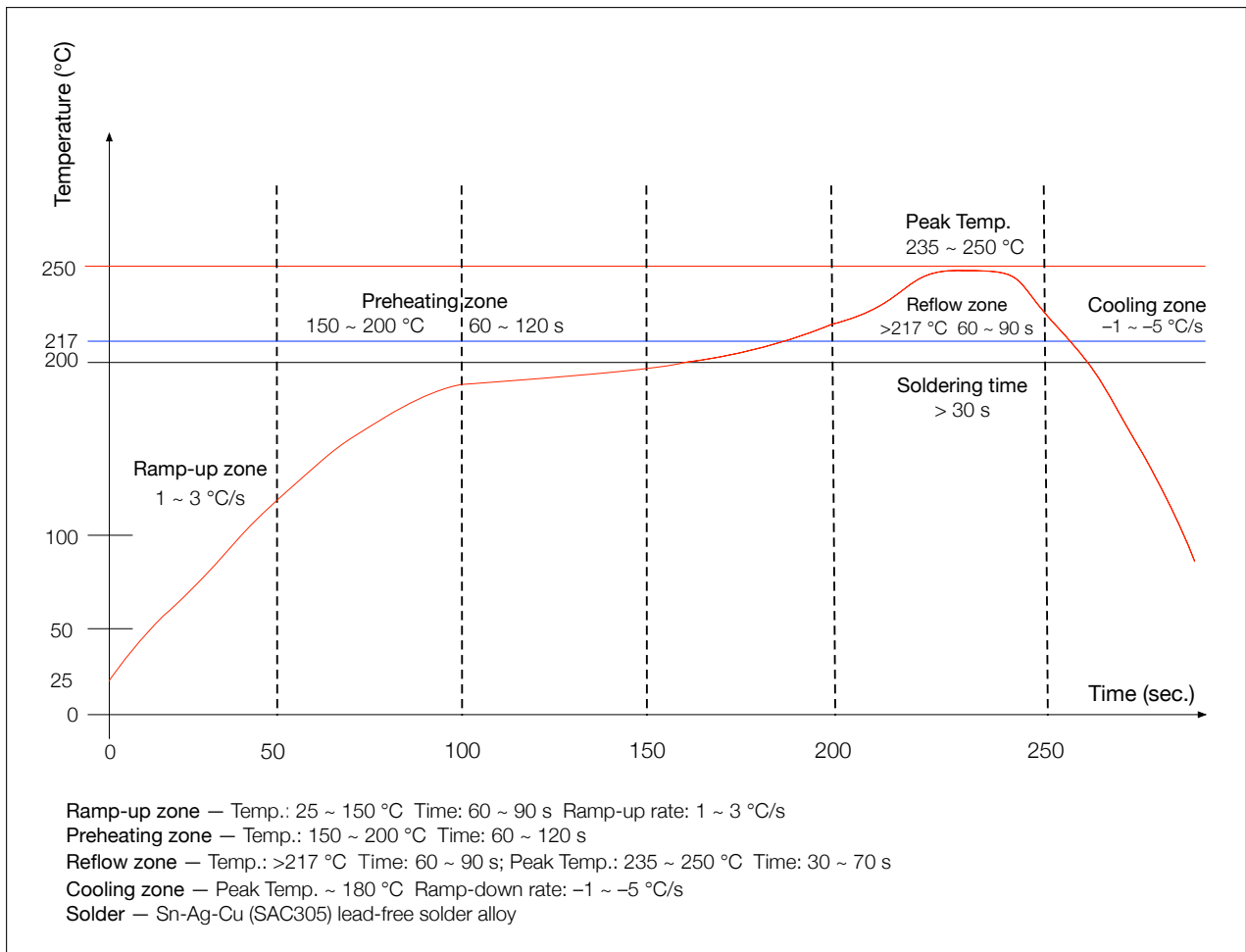


Figure 11: Reflow Profile

11.4 Ultrasonic Vibration

Avoid exposing Espressif modules to vibration from ultrasonic equipment, such as ultrasonic welders or ultrasonic cleaners. This vibration may induce resonance in the in-module crystal and lead to its malfunction or even failure. As a consequence, **the module may stop working or its performance may deteriorate.**

12 Related Documentation and Resources

Related Documentation

- [ESP32 Series Datasheet](#) – Specifications of the ESP32 hardware.
- [ESP32 Technical Reference Manual](#) – Detailed information on how to use the ESP32 memory and peripherals.
- [ESP32 Hardware Design Guidelines](#) – Guidelines on how to integrate the ESP32 into your hardware product.
- [ESP32 ECO and Workarounds for Bugs](#) – Correction of ESP32 design errors.
- *Certificates*
<https://espressif.com/en/support/documents/certificates>
- *ESP32 Product/Process Change Notifications (PCN)*
<https://espressif.com/en/support/documents/pcns>
- *ESP32 Advisories* – Information on security, bugs, compatibility, component reliability.
<https://espressif.com/en/support/documents/advisories>
- *Documentation Updates and Update Notification Subscription*
<https://espressif.com/en/support/download/documents>

Developer Zone

- [ESP-IDF Programming Guide for ESP32](#) – Extensive documentation for the ESP-IDF development framework.
- *ESP-IDF* and other development frameworks on GitHub.
<https://github.com/espressif>
- *ESP32 BBS Forum* – Engineer-to-Engineer (E2E) Community for Espressif products where you can post questions, share knowledge, explore ideas, and help solve problems with fellow engineers.
<https://esp32.com/>
- *The ESP Journal* – Best Practices, Articles, and Notes from Espressif folks.
<https://blog.espressif.com/>
- See the tabs *SDKs and Demos, Apps, Tools, AT Firmware*.
<https://espressif.com/en/support/download/sdks-demos>

Products

- *ESP32 Series SoCs* – Browse through all ESP32 SoCs.
<https://espressif.com/en/products/socs?id=ESP32>
- *ESP32 Series Modules* – Browse through all ESP32-based modules.
<https://espressif.com/en/products/modules?id=ESP32>
- *ESP32 Series DevKits* – Browse through all ESP32-based devkits.
<https://espressif.com/en/products/devkits?id=ESP32>
- *ESP Product Selector* – Find an Espressif hardware product suitable for your needs by comparing or applying filters.
<https://products.espressif.com/#/product-selector?language=en>

Contact Us

- See the tabs *Sales Questions, Technical Enquiries, Circuit Schematic & PCB Design Review, Get Samples* (Online stores), *Become Our Supplier, Comments & Suggestions*.
<https://espressif.com/en/contact-us/sales-questions>

Revision History

Date	Version	Release notes
2023.02	v2.4	Major updates: <ul style="list-style-type: none"> Removed contents about hall sensor according to PCN20221202 Added Section 11: <i>Product Handling</i> Other updates: <ul style="list-style-type: none"> Added strapping pin timing in Section 2.3: <i>Strapping Pins</i> Added source files of PCB land patterns and 3D models of the modules (if available) in Section 9: <i>Recommended PCB Land Pattern</i>
2022.03	v2.3	Updated Table 1 Added a link to RF certificates in Table 2 Updated Table 6 Added a note below Figure 7 Updated the description to the connector Added Section 12: <i>Related Documentation and Resources</i>
2021.08	v2.2	Replaced Espressif Product Ordering Information with ESP Product Selector Updated the description of TWAI in Table 1 Labeled this document as (Not Recommended For New Designs)
2021.02	V2.1	Updated Figure 6: <i>Physical Dimensions of ESP32-WROOM-32D</i> , Figure 7: <i>Physical Dimensions of ESP32-WROOM-32U</i> , Figure 8: <i>Recommended PCB Land Pattern of ESP32-WROOM-32D</i> , and Figure 9: <i>Recommended PCB Land Pattern of ESP32-WROOM-32U</i> . Modified the note below Figure: Reflow Profile. Modified the note below Figure 5: <i>ESP32-WROOM-32D & ESP32-WROOM-32U Peripheral Schematics</i> . Updated the trade mark from TWAI™ to TWAI®.
2020.11	V2.0	Added TWAI™ in Table 1; Added a note under Figure: Reflow Profile; Updated the C value in RC delay circuit from 0.1 μF to 1 μF; Provided feedback link.
2019.09	V1.9	<ul style="list-style-type: none"> Changed the supply voltage range from 2.7 V ~ 3.6 V to 3.0 V ~ 3.6 V; Added Moisture sensitivity level (MSL) 3 in Table 2 <i>ESP32-WROOM-32D and ESP32-WROOM-32U Specifications</i>; Added notes about "Operating frequency range" and "TX power" under Table 9 <i>Wi-Fi Radio Characteristics</i>; Updated Section 7 <i>Peripheral Schematics</i> and added a note about RC delay circuit under it; Updated Figure 8 and Figure 9 <i>Recommended PCB Land Pattern</i>.
2019.01	V1.8	Changed the RF power control range in Table 11 from -12 ~ +12 to -12 ~ +9 dBm.
2018.10	V1.7	Added notice on module custom options under Table 2; Added "Cumulative IO output current" entry to Table 6: Absolute Maximum Ratings; Added more parameters to Table 8: DC Characteristics.
2018.09	V1.6	Updated the hole diameter in the shield from 1.00 mm to 0.50 mm, in Figure 6.

Date	Version	Release notes
2018.08	V1.5	<ul style="list-style-type: none"> Added certifications and reliability test items the module has passed in Table 2: ESP32-WROOM-32D and ESP32-WROOM-32U Specifications, and removed software-specific information; Updated section 3.4: RTC and Low-Power Management; Changed the modules' dimensions; Updated Figure 8 and 7: Physical Dimensions; Updated Table 9: Wi-Fi Radio.
2018.06	V1.4	<ul style="list-style-type: none"> Deleted Temperature Sensor in Table 2: ESP32-WROOM-32D & ESP32-WROOM-32U Specifications; Updated Chapter 3: Functional Description; Added notes to Chapter 7: Peripheral Schematics; Added Chapter 8: Recommended PCB Land Pattern; <p>Changes to electrical characteristics:</p> <ul style="list-style-type: none"> Updated Table 6: Absolute Maximum Ratings; Added Table 7: Recommended Operating Conditions; Added Table 8: DC Characteristics; Updated the values of "Gain control step", "Adjacent channel transmit power" in Table 11: Transmitter Characteristics - BLE.
2018.04	V1.3	Updated Figure 4 ESP32-WROOM-32U Schematics and Figure 3 ESP32-WROOM-32D Schematics.
2018.02	V1.2	Update Figure 4 ESP32-WROOM-32U Schematics.
2018.02	V1.1	<p>Updated Chapter 6 Schematics.</p> <p>Deleted description of low-noise amplifier.</p> <p>Replaced the module name ESP-WROOM-32D with ESP32-WROOM-32D.</p> <p>Added information about module certification in Table 2.</p> <p>Updated the description of eFuse bits in Section 3.1.</p>
2017.11	V1.0	First release.



www.espressif.com

Disclaimer and Copyright Notice

Information in this document, including URL references, is subject to change without notice.

ALL THIRD PARTY'S INFORMATION IN THIS DOCUMENT IS PROVIDED AS IS WITH NO WARRANTIES TO ITS AUTHENTICITY AND ACCURACY.

NO WARRANTY IS PROVIDED TO THIS DOCUMENT FOR ITS MERCHANTABILITY, NON-INFRINGEMENT, FITNESS FOR ANY PARTICULAR PURPOSE, NOR DOES ANY WARRANTY OTHERWISE ARISING OUT OF ANY PROPOSAL, SPECIFICATION OR SAMPLE.

All liability, including liability for infringement of any proprietary rights, relating to use of information in this document is disclaimed. No licenses express or implied, by estoppel or otherwise, to any intellectual property rights are granted herein.

The Wi-Fi Alliance Member logo is a trademark of the Wi-Fi Alliance. The Bluetooth logo is a registered trademark of Bluetooth SIG.



All trade names, trademarks and registered trademarks mentioned in this document are property of their respective owners, and are hereby acknowledged.

Copyright © 2023 Espressif Systems (Shanghai) Co., Ltd. All rights reserved.





[Not Recommended For New Designs \(NRND\)](#)

Looking for pricing, stock, or lifecycle information?

Click below to explore more details on WIN SOURCE:

-  [View ESP32-WROOM-32U-N4 on WIN SOURCE](#)
-  [Espressif Information](#)

Optimize Your Supply Chain with WIN SOURCE Solutions

-  Global Sourcing Solution
-  Obsolete Management
-  Cost Control Management
-  Shortage Management
-  Alternative Solution
-  Excess Inventory Management