



520 Series Metric OMNI-BLOK® Molded Base Fuse Block for 5x20mm Fuses



**Product Characteristics**

<b>Compatible Fuse Sizes</b>	<a href="#">5x20mm Fuses</a>
<b>Description</b>	The metric Omni-Blok® fuse block, for 5x20mm size fuses, is a low profile design that is available with a choice of solder type terminals, NEMA style QC terminals, or PC board mountable terminals. Each of these designs has tin plated brass terminals. A unique design feature provides self-alignment of the clips to the fuse caps. This feature, plus a one-piece clip/terminal design, assures low contact resistance. An anti-one-piece clip/terminal design, assures low contact resistance. An anti rotation feature is also available on the solder and QC terminal designs.
<b>Electrical</b>	UL/CSA: 10A, 600V VDE: 6.3A, 250V
<b>Dielectric Strength</b>	1500V., Minimum
<b>Clip/Terminals</b>	Tin-Plated Brass
<b>Base</b>	Glass reinforced Thermoplastic. UL 94V0 flammability rating. Gray color (GY) for anti-rotational series, black color for all others.
<b>Ambient Temperature</b>	-40°C to +85°C

**Agency Approval**

Agency	Agency File Number
	E14721
	7316
	97121

**Additional Information**



**Datasheet**



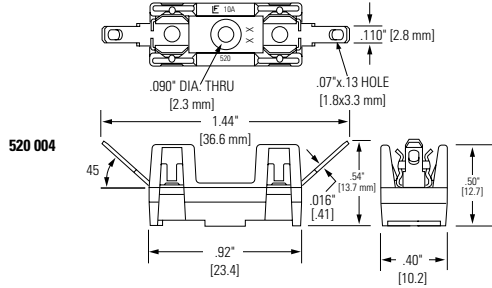
**Resources**



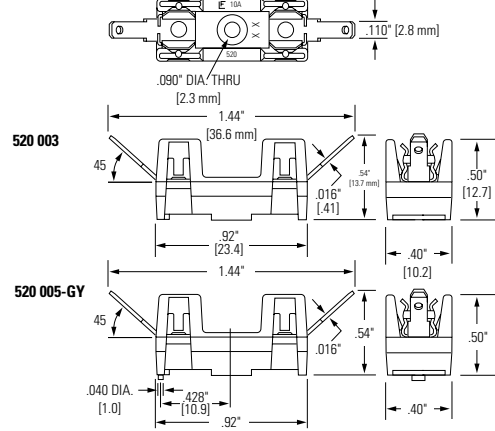
**Samples**

**Product Dimensions [mm]**

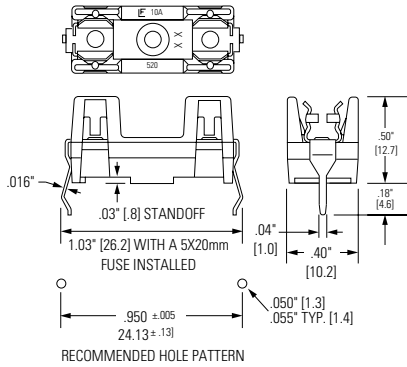
**Solder Terminals Type (520 004):**



**Q.C. Terminals Type (520 003 and 520 005-GY):**



**PC Board Mount Type (520 101):**



**Ordering Information**

Ordering PN	Part Number	Clip/Terminal Material	Anti-Rotation Boss	Packing
<b>Solder Terminals Type</b>				
05200004Z	520 004	Brass	No	Bulk starting at 1 piece
<b>Q.C. Terminals (NEMA Style .110") Type</b>				
05200003Z	520 003	Brass	No	Bulk starting at 1 piece
05200005 ZXGY	520 005 GY	Brass	Yes	Bulk starting at 1 piece
<b>PC Board Mount Type</b>				
05200101Z	520 101	Brass	No	Bulk starting at 1 piece

## Looking for pricing, stock, or lifecycle information?

Click below to explore more details on WIN SOURCE:

 [View 05200101Z on WIN SOURCE](#)

 [Littelfuse Inc. Information](#)

## Optimize Your Supply Chain with WIN SOURCE Solutions

-  Global Sourcing Solution
-  Obsolete Management
-  Cost Control Management
-  Shortage Management
-  Alternative Solution
-  Excess Inventory Management